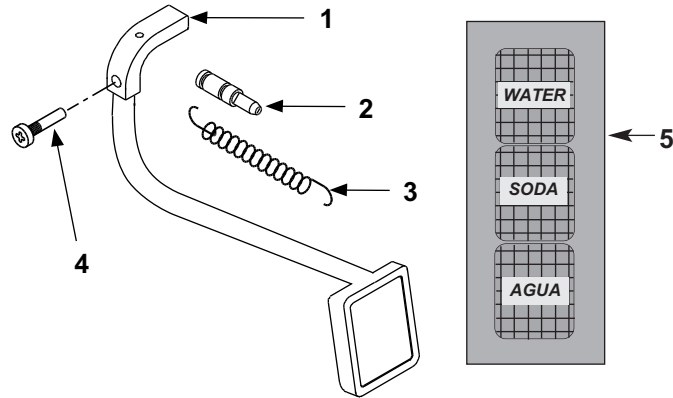


# INSTRUCTION SHEET FOR FRONT SODA/WATER LEVER CONVERSION

**CCUSA Item # 958609**

**The Conversion Kit (P.N. 82-1458/02-SP) includes:**

ITEM	PART NO.	DESCRIPTION	QTY
1	09-0120/02	Lever, Front, Soda/Water	1
2	04-0724	Stud, Pin	1
3	03-0238	Spring, Front Soda/Water Lever	1
4	04-0775	Pin, Lever, Soda	1
5	06-1377	Label, Strip, Water/Soda/Agua	1
-	28-0237/06	Sheet, Instruction	1



(Continued on reverse)



LANCER • 6655 LANCER BLVD. • SAN ANTONIO, TEXAS 78219 USA • 800-729-1500

"Lancer" is the registered trademark of Lancer • Copyright — 2008 by Lancer, all rights reserved.

Check out the Lancer web site:  
[www.lancercorp.com](http://www.lancercorp.com)

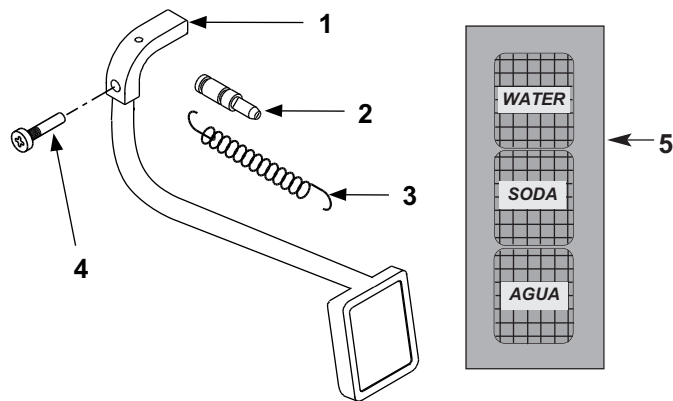
DATE: 04/04/08  
P.N.: 28-0237/06

# INSTRUCTION SHEET FOR FRONT SODA/WATER LEVER CONVERSION

**CCUSA Item # 958609**

**The Conversion Kit (P.N. 82-1458/02-SP) includes:**

ITEM	PART NO.	DESCRIPTION	QTY
1	09-0120/02	Lever, Front, Soda/Water	1
2	04-0724	Stud, Pin	1
3	03-0238	Spring, Front Soda/Water Lever	1
4	04-0775	Pin, Lever, Soda	1
5	06-1377	Label, Strip, Water/Soda/Agua	1
-	28-0237/06	Sheet, Instruction	1



(Continued on reverse)



LANCER • 6655 LANCER BLVD. • SAN ANTONIO, TEXAS 78219 USA • 800-729-1500

"Lancer" is the registered trademark of Lancer • Copyright — 2008 by Lancer, all rights reserved.

Check out the Lancer web site:  
[www.lancercorp.com](http://www.lancercorp.com)

DATE: 04/04/08  
P.N.: 28-0237/06

### STEP 1

Retainer Screw

- Remove I.D. panel.
- Loosen retainer screw. Remove cover.

### STEP 2

If attached to unit:

- If LEV®, disconnect wire harness (Item a).
- Close valve stems (Item b).
- Lift retainer and remove valve (Item c).

### STEP 3

LANCER CORP. SAN ANTONIO, TX  
ERK 785-100  
COMPONENT  
MODEL 100

- For new bottom plates, use a screwdriver to rupture the rectangular hole on right side of bottom plate. Smooth edges. Skip to step 5.

### STEP 4

To remove soda lever:

- Locate soda lever in bottom plate on left side of valve.
- Unscrew and pull out pin (Item a).
- Slide lever behind vertical supports. While pulling lever down, rotate it towards the back right corner of the bottom plate.
- Slide lever out of slot.

### STEP 5

To install front soda/water lever (Item a):

- Position lever with contact pad facing towards rear of Valve. Insert lever through bottom plate (as shown).
- Rotate lever to the left until contact pad is facing forward and extension is positioned over the paddle arm on left.

### STEP 6

- Press stud pin (Item a) into hole in upper body (as shown).
- Attach one end of spring (Item b) onto outer groove of stud pin and other end into hole on top of lever (Item c). Route spring outside lever arm. Reinstall pin (Item d).

### STEP 7

SODA

- Install diffuser assembly and nozzle.
- Install valve on mounting block and latch the retainer.
- If LEV®, reconnect wire harness.
- Turn both valve stems to open position.
- Push lever to ensure proper operation.
- Check for leaks
- Install cover and tighten retainer screw.
- Install I.D. panel.
- Clean label surface of lever.
- Attach label graphic as required.
- Ensure proper operation.

### STEP 1

Retainer Screw

- Remove I.D. panel.
- Loosen retainer screw. Remove cover.

### STEP 2

If attached to unit:

- If LEV®, disconnect wire harness (Item a).
- Close valve stems (Item b).
- Lift retainer and remove valve (Item c).

### STEP 3

LANCER CORP. SAN ANTONIO, TX  
ERK 785-100  
COMPONENT  
MODEL 100

- For new bottom plates, use a screwdriver to rupture the rectangular hole on right side of bottom plate. Smooth edges. Skip to step 5.

### STEP 4

To remove soda lever:

- Locate soda lever in bottom plate on left side of valve.
- Unscrew and pull out pin (Item a).
- Slide lever behind vertical supports. While pulling lever down, rotate it towards the back right corner of the bottom plate.
- Slide lever out of slot.

### STEP 5

To install front soda/water lever (Item a):

- Position lever with contact pad facing towards rear of valve. Insert lever through bottom plate (as shown).
- Rotate lever to the left until contact pad is facing forward and extension is positioned over the paddle arm on left.

### STEP 6

- Press stud pin (Item a) into hole in upper body (as shown).
- Attach one end of spring (Item b) onto outer groove of stud pin and other end into hole on top of lever (Item c). Route spring outside lever arm. Reinstall pin (Item d).

### STEP 7

SODA

- Install diffuser assembly and nozzle.
- Install valve on mounting block and latch the retainer.
- If LEV®, reconnect wire harness.
- Turn both valve stems to open position.
- Push lever to ensure proper operation.
- Check for leaks
- Install cover and tighten retainer screw.
- Install I.D. panel.
- Clean label surface of lever.
- Attach label graphic as required.
- Ensure proper operation.