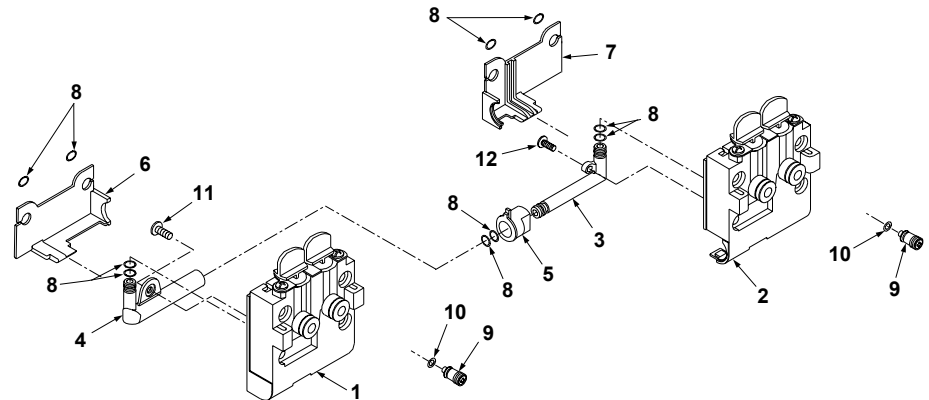


NON-CARBONATED BRIDGE*

Lancer PN 82-1669/01
Model 120

CCUSA Item # 24630

Item	Description
1	Primary Block Assy, Non-Carb Bridge
2	Secondary Block Assy, Non-Carb Bridge
3	Tube, Small Conn, Non-Carb Bridge
4	Tube, Large Conn, Non-Carb Bridge
5	Bushing, Small Tube, Non-Carb Bridge
6	Insert, Large Tube, Non-Carb Bridge
7	Insert, Small Tube, Non-Carb Bridge
8	O-Ring (Lancer 02-0005)
9	Plug, Adjustment, Restricted Flow (Lancer 05-0702)
10	O-Ring (Lancer 02-0126)
11	Screw, #8 Plastite
12	Screw, #6 Plastite



* For use with **LEV® only**

INSTRUCTIONS FOR USE OF NON-CARBONATED BRIDGE

1

- Lubricate the fitting o-rings (Item 1) provided and install them on the fittings as shown.
- Space the mounting blocks of the Non-Carbonated Bridge (NCB) to match the spacing on the dispenser.

NOTE: The primary assembly must be located in current plain water location and is always to the left of the secondary assembly.

- If the spacing between the valves is less than 3/4 of an inch, refer to Step 2.
- Place the NCB onto the tower.
- Secure each NCB with four (4) screws.
Do not overtighten.

2

NOTE: Do this step **only** if spacing between the valves is less than 3/4 of an inch.

- Remove the small tube bushing by carefully sliding it over the tube o-rings.

NOTE: The inserts for each mounting block must be in place **before** the blocks are attached to the tubes and faucet plate

- After removing the bushing, carefully slide the large tube into the secondary mounting block until the blocks are properly spaced over the water and syrup tubes.
- Place the NCB onto the tower.
- Secure each mounting block with four (4) screws.
Do not overtighten.

LANCER

6655 LANCER BLVD. • SAN ANTONIO, TEXAS 78219 USA • (210) 310-7000

FAX SALES

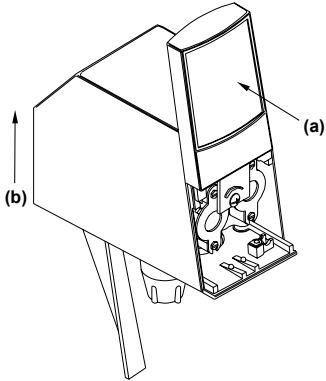
• USA-CANADA – 210-310-7250 • LATIN AMERICA – 210-310-7245 • ASIA – 210-310-7242 •
• EUROPE – 32-2-755-2399 • PACIFIC – 61-8-8268-1978 •

FAX ENGINEERING: • 210-310-7096

"Lancer" is the registered trademark of Lancer • Copyright — 1996 by Lancer, all rights reserved.

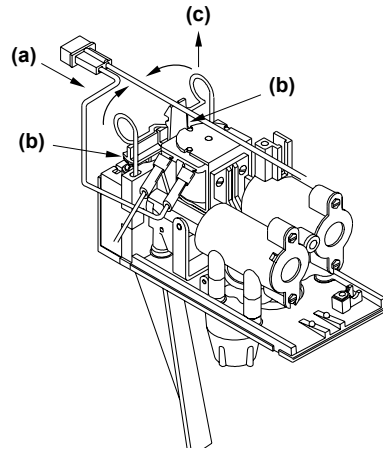
DATE: 06/07/96
P.N.: 28-0606/02

3



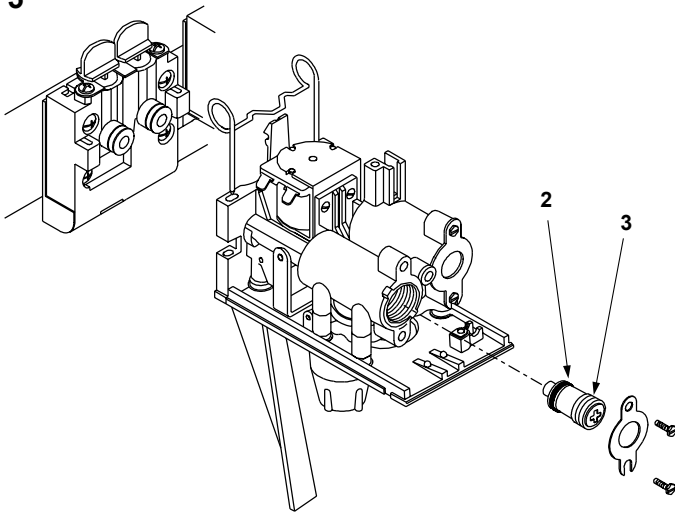
- Remove ID Panel (a) and valve cover (b) for both the primary and secondary valves.

4



- Lift the valve retainer (a) and remove mounting block which is attached to each valve. (Mounting block can be retained for future use, as required.)

5



- Before installing the valves on the NCB, replace the water side plug (gray adjustment plug) with the black plug (restricted flow) included in the kit.
- (a) Remove the retainer screw and retainer plate.
- (b) Unscrew and remove the gray adjustment plug.
- (c) Lubricate the plug o-ring (Item 2) provided in the kit, then install the plug in the white bonnet. Preset the black plug (Item 3) position by turning the plug three (3) revolutions *in from* the retainer plate.
- (d) Reattach the retainer plate and reinstall the screws. **Do not overtighten the screws.**

NOTE: Both NCB blocks are always pressurized, i.e., the secondary block is pressurized even with the primary block stems closed.

- Install both valves in reverse order as described in Step 4.
- Pressurize the dispenser system.
- Actuate each valve to ensure proper operation.

NOTE: If equipped with self-serve lever and valve fails to operate due to lever contact with NCB, remove material from back of lever at point of interference.

- Retarget flow rate to 1.5 oz/sec, then set ratio.
- Reinstall cover and tighten retaining screw.
- Install ID panel.

Check out the Lancer web site:
www.lancercorp.com

