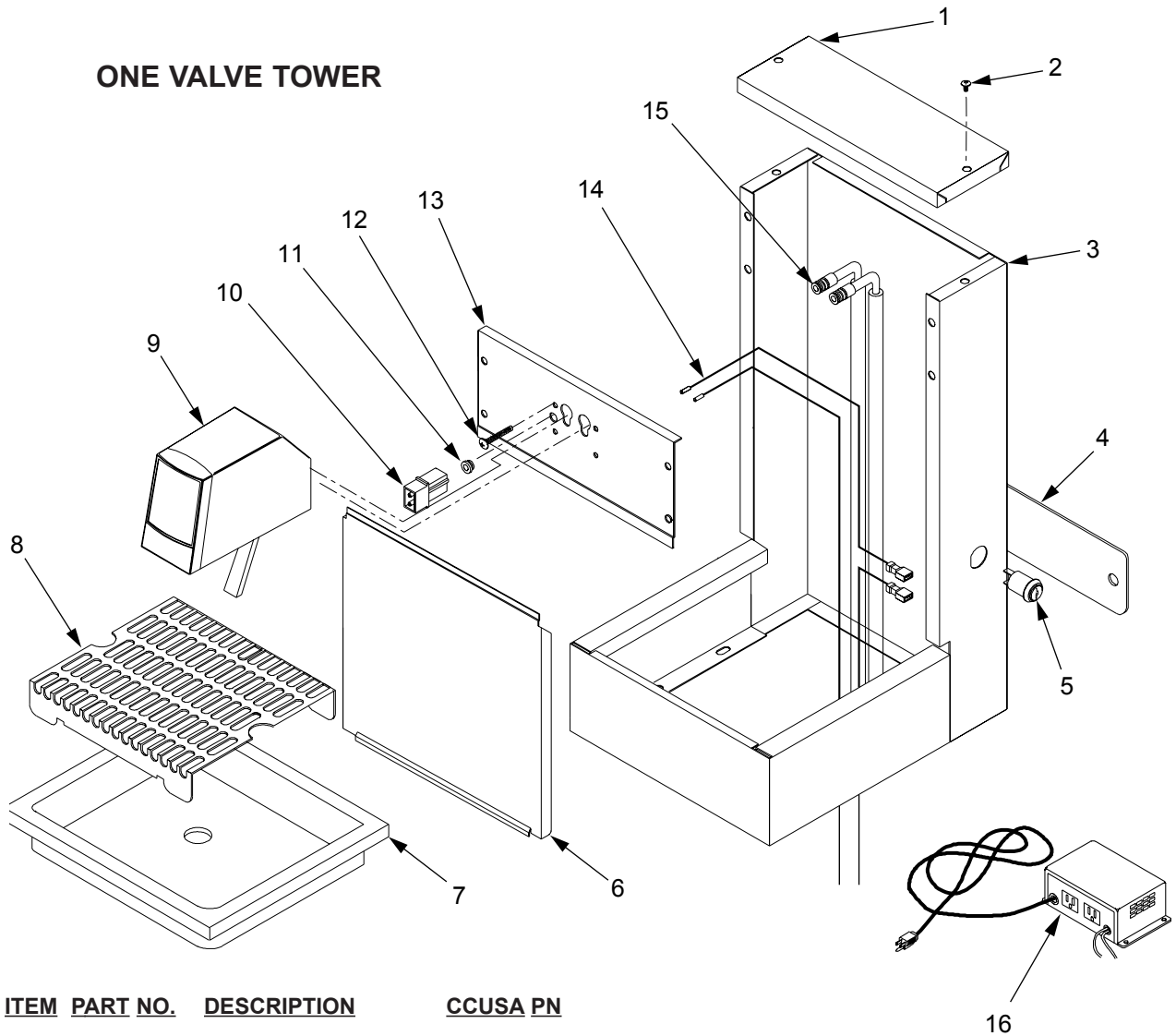


PARTS LISTING

ONE VALVE AND TWO VALVE TOWERS



ITEM	PART NO.	DESCRIPTION	CCUSA PN
	1	Tower Cap	24776
	2	Screw, 10 - 24 x 0.250	10114
R 3	51-5604	Tower Assy	
	4	Back Plate	15993
	5	Key Lock	23955
	6	Splash Plate	24778
	7	Drip Tray	24775
	-	05-0610/01 Elbow Drain	23782
	-	05-0611 Collar Drain	23783
	-	02-0221 O-Ring	22363
	8	Cup Rest	24777
	9	19-0077 LEV®	19765

R in margin indicates change or revision

ITEM	PART NO.	DESCRIPTION	CCUSA PN
	10	11-0015 Housing, 2 Socket, Male	10421
	11	02-0005 Strain Relief Bushing	10050
R 12	04-1089	Screw, 10-32 x 1.000, RH, PH/SL	
	13	30-1654 Faucet Plate (1 Valve)	
	14	52-1082 Wire Harness	
R 15	01-1529	Fitting, Elbow, Dole x 3/8" Barb	
R 16	82-2236	Power Supply Kit, Marquee	

R in margin indicates change or revision

LANCER

6655 LANCER BLVD. • SAN ANTONIO, TEXAS 78219 USA • (210) 310-7000

FAX SALES

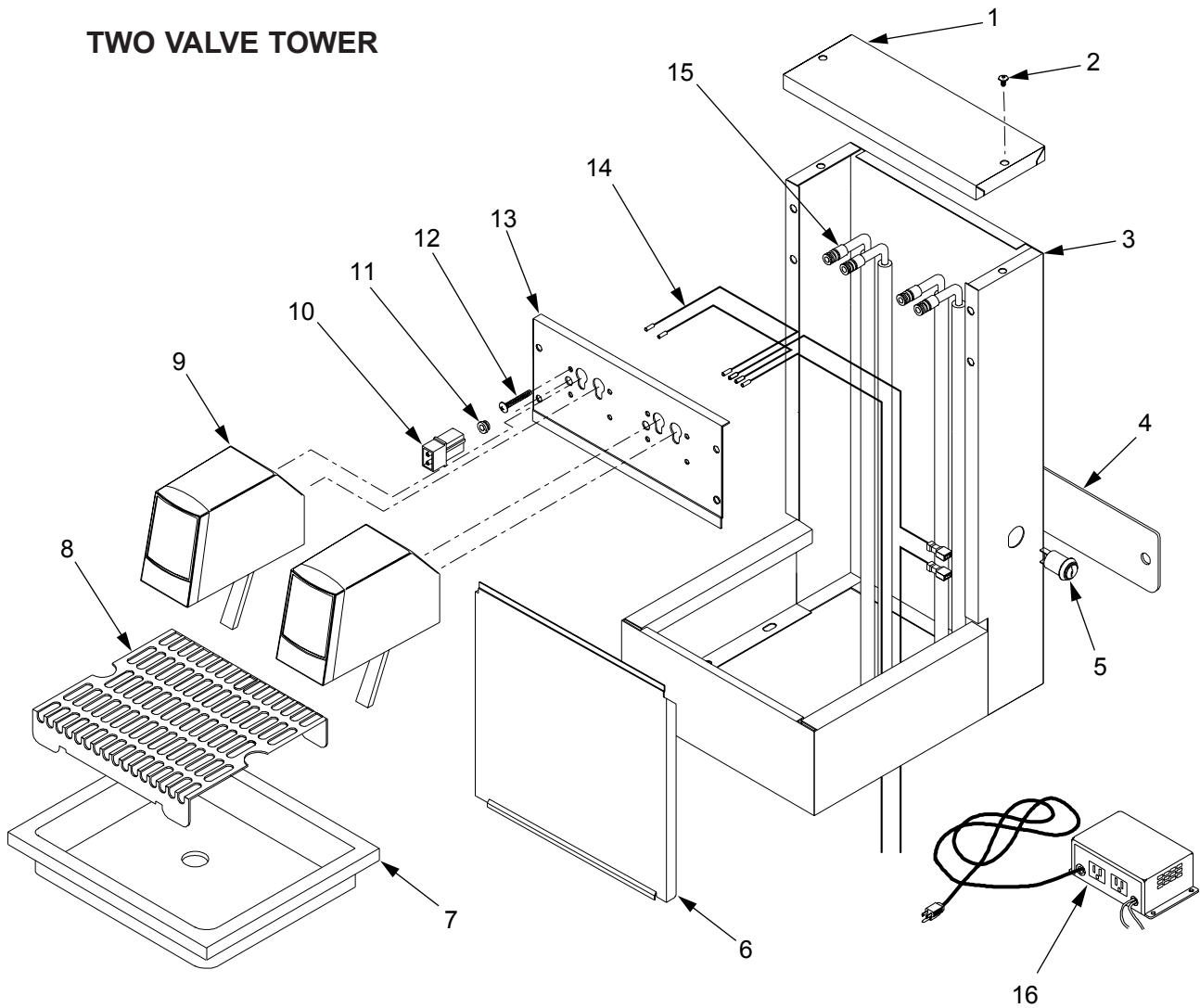
• USA-CANADA – 210-310-7250 • LATIN AMERICA – 210-310-7245 • ASIA – 210-310-7242 •
 • EUROPE – 32-2-755-2399 • PACIFIC – 61-8-8268-1978 •

FAX ENGINEERING: • 210-310-7096

"Lancer" is the registered trademark of Lancer • Copyright — 2001 by Lancer, all rights reserved.

DATE: 02/07/01 P.N.: 28-0150/02

TWO VALVE TOWER



ITEM	PART NO.	DESCRIPTION	CCUSA PN	ITEM	PART NO.	DESCRIPTION	CCUSA PN
1	30-1648	Tower Cap	24776	10	11-0015	Housing, 2 Socket, Male	10421
2	04-0148	Screw, 10 - 24 x 0.250	10114	11	02-0005	Strain Relief Bushing	10050
R 3	51-5604	Tower Assy		R 12	04-1089	Screw, 10-32 x 1.000, RH, PH/SL	
4	30-0612	Back Plate	15993	13	30-1652	Faucet Plate (2 Valve)	
5	12-0097	Key Lock	23955	14	52-1083	Wire Harness	
6	30-1649/01	Splash Plate	24778	R 15	01-1529	Fitting, Elbow, Dole x 3/8" Barb	
7	05-0953	Drip Tray	24775	R 16	82-2236	Power Supply Kit, Marquee	
-	05-0610/01	Elbow Drain	23782				
-	05-0611	Collar Drain	23783				
-	02-0221	O-Ring	22363				
8	30-1651	Cup Rest	24777				
9	19-0077	LEV	19765				

R in margin indicates change or revision

R in margin indicates change or revision

Check out the Lancer web site:
www.lancercorp.com

LANCER