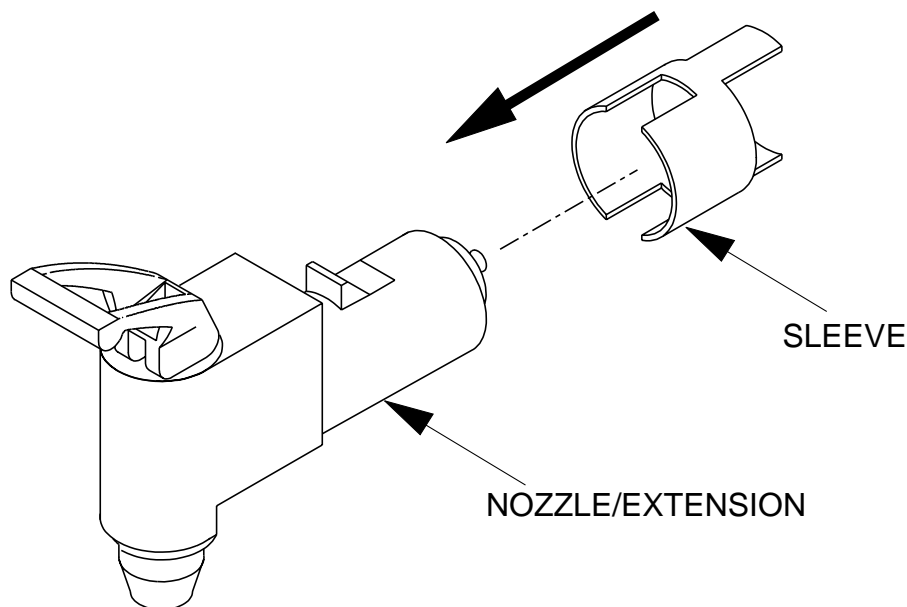


INSTALLATION INSTRUCTIONS FOR INSTALLING TEA URN SLEEVE TO TEA DISPENSER

1. INSTALLATION INSTRUCTIONS

- 1.1 Remove tea urn lid from Tea Dispenser.
- 1.2 Remove tea urn nozzle/extension.
- 1.3 Place sleeve on extension as shown in the illustration.
- 1.4 Reinstall nozzle/extension into tea urn.
- 1.5 Reinstall tea urn lid on Tea Dispenser.



Please refer to the Lancer web site (www.lancercorp.com) for information relating to Lancer Installation and Service Manuals, Instruction Sheets, Technical Bulletins, Service Bulletins, etc.

LANCER

6655 LANCER BLVD. • SAN ANTONIO, TEXAS 78219 USA • (210) 310-7000

FAX SALES

• NORTH AMERICA – 210-310-7245 • INTERNATIONAL SALES – 210-310-7242 • CUSTOMER SERVICE – 210-310-7242 •
• LATIN AMERICA – 210-310-7245 • EUROPE – 32-2-755-2399 • PACIFIC – 61-8-8268-1978 •

FAX ENGINEERING: • 210-310-7096

"Lancer" is the registered trademark of Lancer • Copyright — 1997 by Lancer, all rights reserved.

DATE: 09/26/97
P.N.: 28-0366