



Please refer to the Lancer web site (www.lancercorp.com) for information relating to Lancer Installation and Service Manuals, Instruction Sheets, Technical Bulletins, Service Bulletins, etc.

INSTRUCTION MANUAL FOR CONVERSION TO LIGHTED FRONT COVER ESCORT II AND III CENTURION

Kit Part Number 82-1777, Escort II and Centurion
Kit Part Number 82-1786, Escort III

This manual is an initial issue.



6655 LANCER BLVD. • SAN ANTONIO, TEXAS 78219 USA • (210) 310-7000

FAX SALES

• NORTH AMERICA – 210-310-7245 • INTERNATIONAL SALES – 210-310-7242 • CUSTOMER SERVICE – 210-310-7242 •
• LATIN AMERICA – 210-310-7245 • EUROPE – 32-2-755-2399 • PACIFIC – 61-8-8268-1978 •

FAX ENGINEERING: • 210-310-7096

"Lancer" is the registered trademark of Lancer • Copyright — 1995 by Lancer, all rights reserved.

REV:	12/12/95
P.N.	28-0310

NOTES

LANCER[®]

Please refer to the Lancer web site (www.lancercorp.com) for information relating to Lancer Installation and Service Manuals, Instruction Sheets, Technical Bulletins, Service Bulletins, etc.

TABLE OF CONTENTS

TABLE OF CONTENTS	1
1. GENERAL DESCRIPTION	1
2. CONVERSION KIT COMPONENTS LIST	1
3. CONVERSION INSTRUCTIONS	1
4. REPLACING GRAPHICS	2
5. OPERATING INSTRUCTIONS	2
6. ILLUSTRATIONS AND PARTS LISTINGS	3
6.1 KIT COMPONENT ASSEMBLY	3
6.2 LIGHTED FRONT COVER ASSEMBLY	4

1. GENERAL DESCRIPTION

The lighted front cover provides a lighted advertisement option on the front of all Escort and Centurion units.

2. CONVERSION KIT COMPONENTS LIST

One kit will be needed for each unit to be converted. The kit part numbers are:

- 82-1777 Escort II & Centurion models
- 82-1786 Escort III

3. CONVERSION INSTRUCTIONS

- 3.1 Turn the key to the "OFF" position, and unplug unit.
- 3.2 Remove both lids from the top of unit, and remove check valves from tubing. Take the concentrate containers out of unit and refrigerate
- 3.3 Loosen the two thumb screws securing front cover, and detach front cover from unit.
- 3.4 Loosen six (6) screws (at front and at back of unit) to top cover; do not remove screws from unit. After loosening screws, lift top cover off.
- 3.5 Disconnect agitator deck wire harness assembly. Remove screws that secure deck to the unit and lift out of unit.
- 3.6 Place transformer (PN 25-0060) on deck on the opposite corner from the Ranco. Mark the hole locations on the transformer base. Center punch the locations, and drill a 1/8 inch (3.175 mm) hole. Secure transformer onto deck with screws (PN 04-0061).
- 3.7 Connect wiring harness from the conversion kit (PN 52-1560) to the line side of the transformer, and connect the female/male connectors to the disconnected harness of the agitator deck (see Section 6.1).
- 3.8 Replace agitator deck and secure. Plug deck into unit.
- 3.9 On the top cover, center punch a mark in the center of the recess, and then drill a 7/16 inch (11.112 mm) hole (See Figure 1). Insert the spade connections of the harness (PN 52-1695) through the hole. Lay the wiring harness on the tank to the left side of the concentrate area, and connect the harness to the load side of the transformer (See Section 6.1). Replace the top cover and ensure that the wiring harness extends 4 inches (10.16 cm) from the front of the top cover. Tighten screws at the front and the rear of the unit to secure the top cover.
- 3.10 Attach the lighted front cover assembly (PN 82-1778 for ESC II; PN 82-1782 for ESC III) to top cover using the two thumb screws. Flip front cover to the open position and connect the two wiring harnesses together. Close front cover unit.
- 3.11 Replace concentrate containers and both lids to the top of the unit.
- 3.12 Remove the splash plate from the unit. Place the cleaning instruction label (PN 06-0123/01), from the conversion kit, on the back of the splash plate.
- 3.13 Replace any portion control or Sodar operating instructions on the front cover (new labels are included in kit).
- 3.14 Plug unit back into wall, and turn key to the "ON" position.

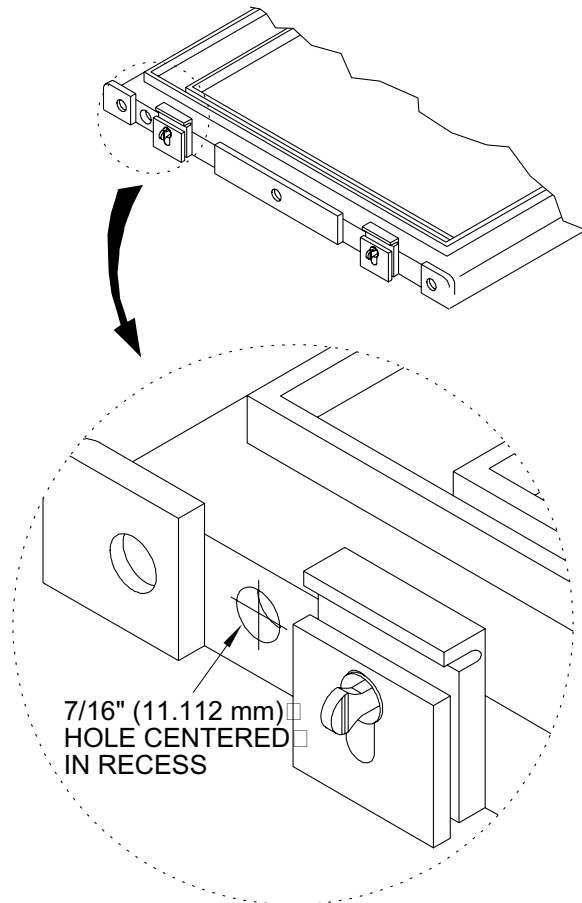


Figure 1

4. REPLACING GRAPHICS

- 4.1 Turn the key to the "OFF" position, turn switch on inside of front cover to the "OFF" position, and unplug unit.
- 4.2 Open front cover and push the clear clips (protruding from the reflector) into the slots in the reflector. Return cover to the closed position.
- 4.3 Lean the outer lens (PN 05-1164) back far enough so that it can be removed from the front cover. Remove clear backing and remove old graphics. Insert new graphics into recess of lens, and replace backing sheet.
- 4.4 With lens horizontal, insert tabs into bottom of front cover and rotate lens to an upright position. Push lens in, until lens is flush with front cover and until the lens snaps into place. Be sure that the lens is properly seated.
- 4.5 Plug in the unit, open front cover and turn switch on the inside of the cover to the "ON" position.
- 4.6 Turn the key to the "ON" position, and return front cover to the closed position.

5. OPERATING INSTRUCTIONS

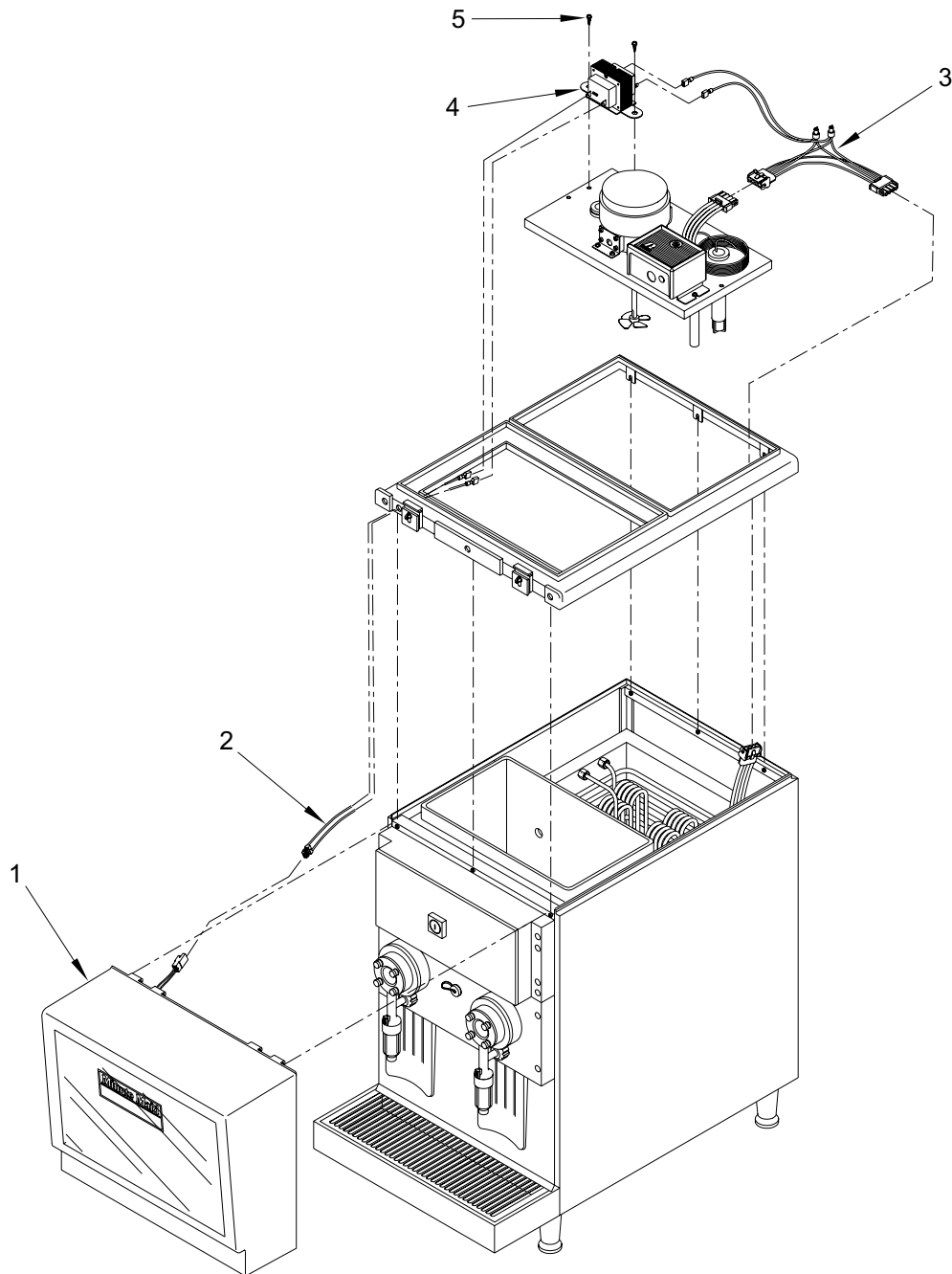
Plug unit in. If graphics does not light up, open front cover, and turn switch to the "ON" position.

NOTE:

The key does not turn off the lighted front graphics. Graphics are controlled by the switch located on the inside of the front cover.

6. ILLUSTRATIONS AND PARTS LISTINGS

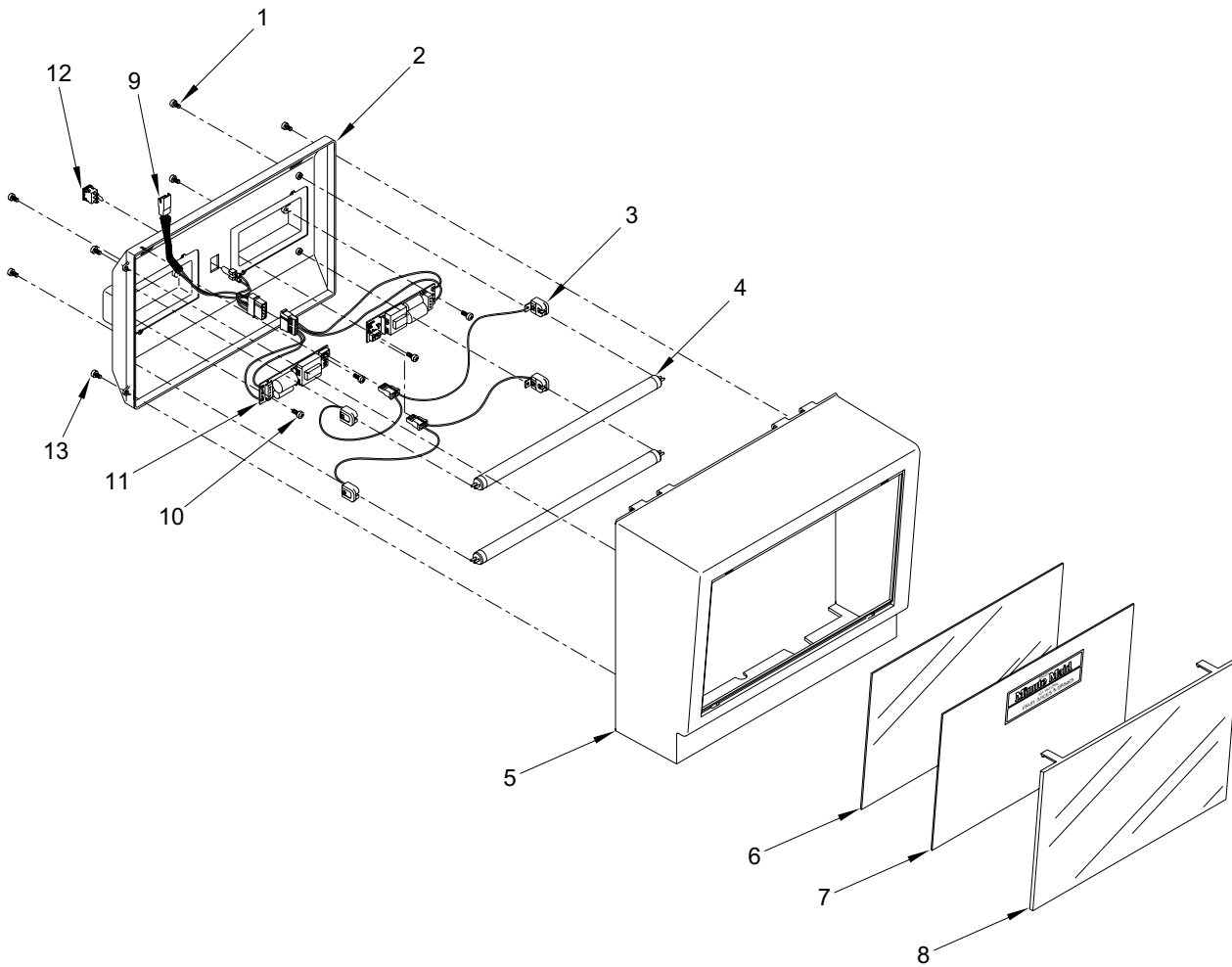
6.1 KIT COMPONENT ASSEMBLY



ITEM	PART NO.	DESCRIPTION
1	82-1778	Assy, Lighted Front, Lg. Fr. Esc II
-	82-1782	Assy, Lighted Front, Lg. Fr. Esc III
2	52-1695	Harness, Wiring, Power, Trans/PCB
3	52-1560	Harness, Jumper, Merchandiser, Esc
4	25-0060	Transformer
5	04-0061	Screws, 8 - 18 x 0.500
6*	06-0123/01	Label, Cleaning Instructions
7*	06-1208	Label, Portion Control Programming
8*	06-1245	Label, Instructions, Sodas, Escort

(*Item not illustrated)

6.2 LIGHTED FRONT COVER ASSEMBLY



ITEM	PART NO.	DESCRIPTION
1	04-0407	Screw, 6 - 32 x 0.375 PHD, PH, SS
2	05-1165	Reflector, Front, Cover, OJ
3	52-1692	Harness, Wiring, Lamp
4	12-0047	Fluorescent, Bulb
5	82-1781	Assy, Front Cover, Lg. Fr. Esc II
-	82-1779	Assy, Front Cover, Lg. Fr. Esc III
6	27-0041	Lens, Inner, OJ
7	06-1238	Graphics, Lighted Front Cover
8	05-1164	Lens, Front Cover, OJ
9	52-1694	Harness, Wiring, Jumper
10	04-0523	Screw, 6 - 19 x 0.342
11	52-1691	PCB Assy, Lamp Driver, Lg. Fr.
12	12-0230	Switch, SPST, Rocker
13	04-0523	Screw, 6 - 19 x 0.342

*(Continued from previous page)***PromoVen, S.A. - Argentina**

Contact: Rafael Mendoza
 Juncal 858 - Piso 3 Depto. "L"
 (1062) Buenos Aires
 Argentina
 Phone: (54.11)4394.7654
 FAX: (54.11)4394.1193
 e-mail: promoven@fibertel.com.ar
 depositopromoven@fibertel.com.ar

Bras Sulamericana LTDA. - Brasil

Contact: Fabio Queiroz
 Rua. Dr. Ladislau Retti, 1400
 Parque Alexandre
 Cotia Sao Paulo - Brasil
 CEP: 06714-150
 Phone: 55-11-4612-1122
 FAX: 55-11-4612-2219
 e-mail: fabio.queiroz@bras.com.br

Lancer Chile Ltda. - Chile

Contact: Heriberto Concha
 Vicuna mackenna 3019, San joaquin
 Santiago, Chile
 Phone: 56-2-5521657
 FAX: 56-2-5521961
 e-mail: lancerchile@lancer.tie.cl

Lancer Pacific**Australia**

Lancer Pacific Pty Ltd
 5 Toogood Avenue
 Beverley 5009
 PO Box 331
 Welland 5007
 South Australia
 Phone: 61-8-8268-1388
 FAX: 61-8-8268-1978
 e-mail: joe-thorp@lancer-pacific.com.au
 (Managing Director, Lancer Pacific)
 steve-sotiriou@lancer-pacific.com.au
 (for Fountain/soft drink)
 bill-cadd@lancer-pacific.com.au
 (for Draught Products)

New South Wales / ACT

Lancer Pacific Pty Ltd
 Unit 8, 2 Holker Street
 Newington 2127
 New South Wales
 Australia
 Phone: 61-2-9648-6840
 FAX: 61-2-9648-6850
 e-mail: john-frize@lancer-pacific.com.au

Victoria / Tasmania

Lancer Pacific Pty Ltd
 55 Keele Street
 Collingwood 3066
 Victoria
 Australia
 Phone: 61-3-8415-1920
 FAX: 61-3-8415-1929
 e-mail: hayden-woodall@lancer-pacific.com.au

Queensland / Northern Territory

Lancer Pacific Pty Ltd
 Unit 31, 284 Musgrave Drive
 Coopers Plains 4108
 Queensland
 Australia
 Phone: 61-7-3274-5700
 FAX: 61-7-3875-1805
 e-mail: brett-thomson@lancer-pacific.com.au

New Zealand

Lancer Pacific Ltd
 9 O'Rorke Street
 Onehunga, Auckland
 POBox 12-523
 Penrose, Auckland
 New Zealand
 Phone: 64-9-634-3612
 Mobile Phone: 64-21-745-389
 FAX: 64-9-634-1472
 e-mail: mike-peffers@lancer-pacific.com.au
 andrew-nixon@lancer-pacific.com.au

Lancer Authorized Distributors**Indonesia**

P.T. Dikarunia Sejahtera - Indonesia
 Jl. Gelong Baru Tengah #1A
 Tomang, Jakarta, Barat 11440
 Indonesia
 Phone: 62-21-5694-3245
 FAX: 62-21-560-6889
 e-mail: dikarunia@cbn.net.id

Philippines

RBP Industrial Sales, Inc. - Philippines
 Unit 20, 2/F, Facilities Centre Bldg.
 548 Shaw Blvd
 1552 Mandaluyong City
 Philippines
 Phone: 632-531-1221/1215/1289
 FAX: 632-531-1271
 e-mail: rbpsales@pltdtdsl.net
 rbp@pltdtdsl.net

Lancer Asia**International Sales**

6655 Lancer Blvd.
 San Antonio, TX 78219
 Phone: (210) 310-7000
 FAX: (210) 310-7242
 1-800-729-1500
 e-mail: asia@lancercorp.com

Hong Kong

Patrick Co - Director Asia
 Flat A, 24/F., Houston Industrial Bldg.
 32-40 Wang Lung Street
 Tsuen Wan, N. T., Hong Kong
 Phone: 852-94302585
 FAX: 852-24082605
 e-mail: patrickco@lancer-asia.com

Lancer Authorized Distributors**Shanghai Freser International Co Ltd. - China**

1856, Hu Tai Road
 Shanghai, 200436, China
 Phone: 86-21-5650-3555
 FAX: 86-21-5650-2666
 e-mail: daniel@freser.com.cn

Freser (HK) Company Ltd - Hong Kong

Flat A, 24/F., Houston Industrial Bldg.
 32-40 Wang Lung Street
 Tsuen Wan, N. T., Hong Kong
 Phone: 852-2408-2595
 FAX: 852-2408-2605
 e-mail: freserhk@netnavigator.com

Hayakawa Sanki - Japan

Hayakawa Sanki, Inc.
 1-13-13, Kayaba-cho
 Nihonbashi, Chuo-ku
 Tokyo, 103-0025
 Japan
 Phone: 03-5651-1481
 FAX: 03-5651-1445
 e-mail: toshi@hayakawa-sanki.co.jp

Tahoe Corporation - Korea

Tahoe Corporation
 2FL, 835-66 Yocksam-dong
 Kangnam-Ku
 Seoul, Korea
 Phone: 82-2-557-5612, -5614
 FAX: 82-2-557-5615
 e-mail: tahoe@empal.com

Freser (MALAYSIA) SDN. BHD. - Malaysia

No. 31, Jalan TPP 5/13, Taman
 Perindustrian Puchong, Seksyen 5,
 47100 Puchong, Selangor, Malaysia
 Phone: 60-3-8061-6666
 FAX: 60-3-8062-1007
 e-mail: freser@tm.net.my

Freser (S) Pte Ltd - Singapore

621 Aljunied Road
 #02-09 Lipo Building
 Singapore 389834
 Phone: 65-6746-8191
 FAX: 65-6746-8196
 e-mail: fresersin@pacific.net.sg

Freser International Corporation - Taiwan

No. 76, Gui-Sui Street
 Taipei 103, Taiwan R.O.C.
 Phone: 886-2-2553-1555
 FAX: 886-2-2553-2742
 e-mail: herman@intl.freser.com.tw

Freser Makasan International Co., Ltd - Thailand

Freser Makasan International Co., LTD.
 Navanakorn Industrial Estate Zone 4
 95/3 Moo 13, Klongnung, Klongluang
 Patumthani 12120, Thailand
 Phone: 662 520-3457 (Automatic, 7 lines)
 FAX: 662 529-3840
 e-mail: komsan@makasan.co.th

Lancer - Indian Sub-Continent**India**

Shabbir Shafiqi - Area Manager
 India and Sub-Continent
 B-7, Pannalal Silk Mill Compounds
 78, LBS Marg, Bhandup (W)
 Mumbai 400-078, India
 Phone: 91-22-2561-6665
 Cel No.: 91-98-2029-5252
 FAX: 91-22-5637-4018
 e-mail: shafiquis@vsnl.com

Lancer Authorized Distributors**Western Refrigeration Ltd - India**

B-7, Pannalal Silk Mill Compounds
 78 L.B.S. Marg, Bhandup (W)
 Mumbai 400-078, India
 Phone: 91-22-2561-6665
 FAX: 91-22-2562-2257
 e-mail: western@bom5.vsnl.net.in

Bengal Marketing Company - Bangladesh

Skylark Point (6th Floor)
 Room #G-2
 24/A Bijoy Nagar,
 Dhaka-1000, Bangladesh
 Phone: 880-2-934-2987
 FAX: 880-2-935-0127
 e-mail: bmc@dhaka.agni.com

Dynamic Equipment - Pakistan

Dynamic Equipment and Controls (Pvt.) Ltd.
 F-1/23, Canal Cottages, Block-D.
 New Muslim Town.
 Lahore. Pakistan.
 Phone: 0092-42-583-6737
 0092-42-583-6787
 FAX: 0092-42-586-7924
 e-mail: info@dynamic-eqpt.com.pk
 m.atteeq@dynamic-eqpt.com.pk



**Directory of USA - Canada Offices,
International Offices, and Authorized Distributors**

Corporate Office

6655 Lancer Blvd. • San Antonio, Texas 78219 • 210-310-7000 • 1-800-729-1500 • FAX 210-310-7250

Lancer USA

Manufacturing Locations

Foster Road Facilities

6655 Lancer Blvd
San Antonio, TX 78219
Web Site: www.lancercorp.com
Phone: (210) 310-7000
MFG FAX: (210) 310-7088
ENG FAX: (210) 310-7096
ACCT FAX: (210) 310-7091
PURCH FAX: (210) 310-7094

Lancer FBD

5620 Business Park
San Antonio, TX 78218
Phone: (210) 666-0544
FAX: (210) 666-2044

Remanufacturing

6655 Lancer Blvd
San Antonio, TX 78219
Phone: (210) 310-7256
FAX: (210) 310-7261
1-800-729-1550

Lancer North America

USA - Canada Sales

6655 Lancer Blvd.
San Antonio, TX 78219
Phone: (210) 310-7000
SALES FAX: (210) 310-7245
CUSTOMER SERVICE FAX: (210) 310-7250
1-800-729-1500

Georgia Office

1125 Northmeadow Parkway, Suite 116
Roswell, GA 30076
Phone: (770) 343-8828
FAX: (770) 475-8646
1-800-729-1750

Lancer Authorized Distributors

Advanced Beverage Solutions (ABS)

100 N. Gary Avenue, Suite C
Roselle, IL 60172
Phone: (847) 524-1707
(877) 814-2271
FAX: (847) 524-1710
www.absone.com

Bevco

6900 Camille Avenue
Oklahoma City, OK 73149
Phone: (405) 672-7770
800-460-4238
FAX: (405) 672-7443
e-mail: sales@bevcoinc.com

Joe Kirwan Company

119 White Oak Lane
Old Bridge, NJ 08857
Phone: (732) 679-1900
FAX: (732) 679-9236
e-mail: sales@jkirwan.com

L & M Beverage Equipment Co. Inc.

12510 Santa Fe Trail Drive
Lenexa, KS 66215
Phone: (913) 888-8988
FAX: (913) 888-9137
e-mail: L7mco@aol.com

Ernest F. Mariani Company

614 West 600 South
Salt Lake City, UT 84104
Phone: (801) 359-3744
FAX: (801) 531-9615
e-mail: febell@efmco.com, or
clay@efmco.com

(Update #58 - as of March 08, 2005)

Mark Powers & Company, Inc.

P.O. Box 72
1821 Henry Street
Guntersville, AL 35976
Phone: (256) 582-6620
FAX: (256) 582-8533
e-mail: sales@markpowers-and-company.com

Maurer Supply, Inc.

843 Rainier Avenue South
Seattle, WA 98144
Phone: (206) 323-8640
FAX: (206) 323-9286
e-mail: maurersupply@qwest.net

Simgo Ltd.

5122 Timberlea Blvd.
Mississauga, Ontario L4W 2S5
Canada
Phone: 905-602-5800
FAX: 905-602-5804
e-mail: simgo@simgo.com

Simgo (B.C.) Ltd.

16-8125 - 130th Street
Surrey, B.C. V3W 7X4
Canada
Phone: 604-590-4022
FAX: 604-590-1601

Lancer Europe

Web Site: www.lancereurope.be

Belgium - European Central Office

Lancer Europe, S.A.
Mechelsesteenweg 592
B-1930 Zaventem
Belgium
Phone: 32-2-755-2390
FAX: 32-2-755-2399
e-mail: lancer.europe@glo.be

England

Managing Director
Contact: Paul Haskayne
Lancer G.B. Llp.
Unit 9 Prosperity Court, Midpoint 18
Middlewich CW10 OGD
Cheshire, United Kingdom.
Phone: 441606837711
FAX: +441606832705
e-mail: phaskayne@lancergb.co.uk

17 Bembridge Gardens

Ruislip, Middlesex
HA4 7ER, England
Phone: 44-1895672667
FAX: 44-1895637537
e-mail: court4lancer@msn.com

Hungary

H-2100 Gödöllő
Isaszegi út 67
Hungary
Phone: 36-28-417-179
FAX: 36-28416-881
e-mail: bodolai@compuserve.com

Lancer Authorized Distributors

Complete Beverage Services, Ltd.

Republic of Ireland and Northern Ireland

Gortrush Industrial Estate
Omagh County Tyrone
Northern Ireland
Office: 44-1662 250 008
FAX: 44-1662-252-991

Provisiona, S.L. - Spain

Avda. Concha Espina 8
28036 Madrid Spain
Phone: 34-91-564 6900
FAX: 34-91-564 3065
e-mail: jmorales@bevserve.com

Lancer Russia

Lancer International Sales, Inc.

Representation Office

Kashirskoe shosse, 65 (1), Office 505
Moscow 115583 Russia
Mail: Moscow, 115551, Mail Box #2, Russia
Mobile Phone: 7-095-991-7778
Office Phone: 7-095-727-4063
Office FAX: 7-095-727-4064
e-mail: vdemkin@ktv.ru
lancer@online.ru

Lancer Middle East / Africa

Elsayed Moniem - Regional Manager
Lancer Middle East/Africa
7 Mubarak Street
East Ain Shams 11311
Cairo, Egypt
Phone: 2-02-49-35-395
FAX: 2-02-49-33-914
Mobile Phone (GSM): 2-010-500-4007
e-mail: elsayed_lancer@msn.com

Lancer Authorized Distributor

DispenseTech - South Africa

P.O. Box 17495
Sunward Park, 1470
South Africa
Phone: 27-11-397-7455
FAX: 27-11-397-7648
e-mail: david@dispensetech.co.za

Lancer Latin America

Latin America Sales

6655 Lancer Blvd.
San Antonio, TX 78219
Phone: (210) 310-7000
1-800-729-1500
FAX: (210) 310-7245
e-mail: latinamerica@lancercorp.com

Lancer de Mexico, S.A. de C.V.

Contact: Carlos Robles
Calle Lerdo De Tejada #544 PTE.
Col. Las Villas
San Nicolas De Los Garza, N.L.
Mexico C.P. 66422
Phone: (52)-81-83-05-81-00
Phone: (52)-81-83-05-81-01
Phone: (52)-81-83-05-81-02
FAX: (52)-81-83-05-81-09
e-mail: Carlos.robles@lancer.com.mx

PEL SudAmerica - Ecuador

Lancer Sales Company
Contact: Luciano Lopez
Sector Las Acacias
Luis De Beethoven #958
Y Capitan Rafael Ramos
Quito, Ecuador
Phone: 593-22-401-598, 400-937, 406-418
FAX: 593-22-400-535
e-mail: Llopez@ecnet.ec

Lancer Authorized Distributors

Eximport & Barter Co. - Caribbean

2101 S.W. 56th Terrace
Hollywood, FL 33023 USA
Phone: (954) 967-9999
FAX: (954) 967-9900
e-mail: edbrandao@aol.com

(Continued on reverse)