

# INSTALLATION INSTRUCTIONS FOR DROP-IN DISPENSER SLIDE IN CONVERSION STAND

**(3023, PN 84-0059; 2323, PN 84-0058; 1522, PN 84-0006)**

---

## 1. INSTALLATION PROCEDURES

### **NOTE**

This Instruction Sheet applies to the following Dispensers: 3023, 2323, and 1523.

### **1.1 UNPACKING**

- A. The assembled Slide-In Conversion Stand (See Figure 1 on reverse) is shipped in a corrugated shipping carton.
- B. Carefully remove the Unit from the corrugated shipping carton.

### **NOTE**

Four (4) legs are included with the stand.

### **1.2 INSTALLATION OF DROP-IN DISPENSERS**

- A. Install four (4) legs (Item 2, Figure 1) to Conversion Stand.
- B. Remove six (6) screws (Item 6, Figure 1) to remove one panel (Item 5, Figure 1) from rear of Conversion Stand. Save screws for reinstallation.

### **NOTE**

It is NOT necessary to remove more than one panel to accomplish this installation.

- C. Slightly lift the drop-in dispenser and carefully slide the dispenser into the Conversion Stand. Carefully set the dispenser down into the Conversion Stand.
- D. Make electrical, water, syrup, and drain connections in accordance with the manufacturer's instructions.
- E. Reinstall panel and secure with six (6) screws removed in Step 1.2.B above.

*Please refer to the Lancer web site ([www.lancercorp.com](http://www.lancercorp.com)) for information relating to Lancer Installation and Service Manuals, Instruction Sheets, Technical Bulletins, Service Bulletins, etc.*

---

**LANCER**

6655 LANCER BLVD. • SAN ANTONIO, TEXAS 78219 USA • (210) 310-7000

### **FAX SALES**

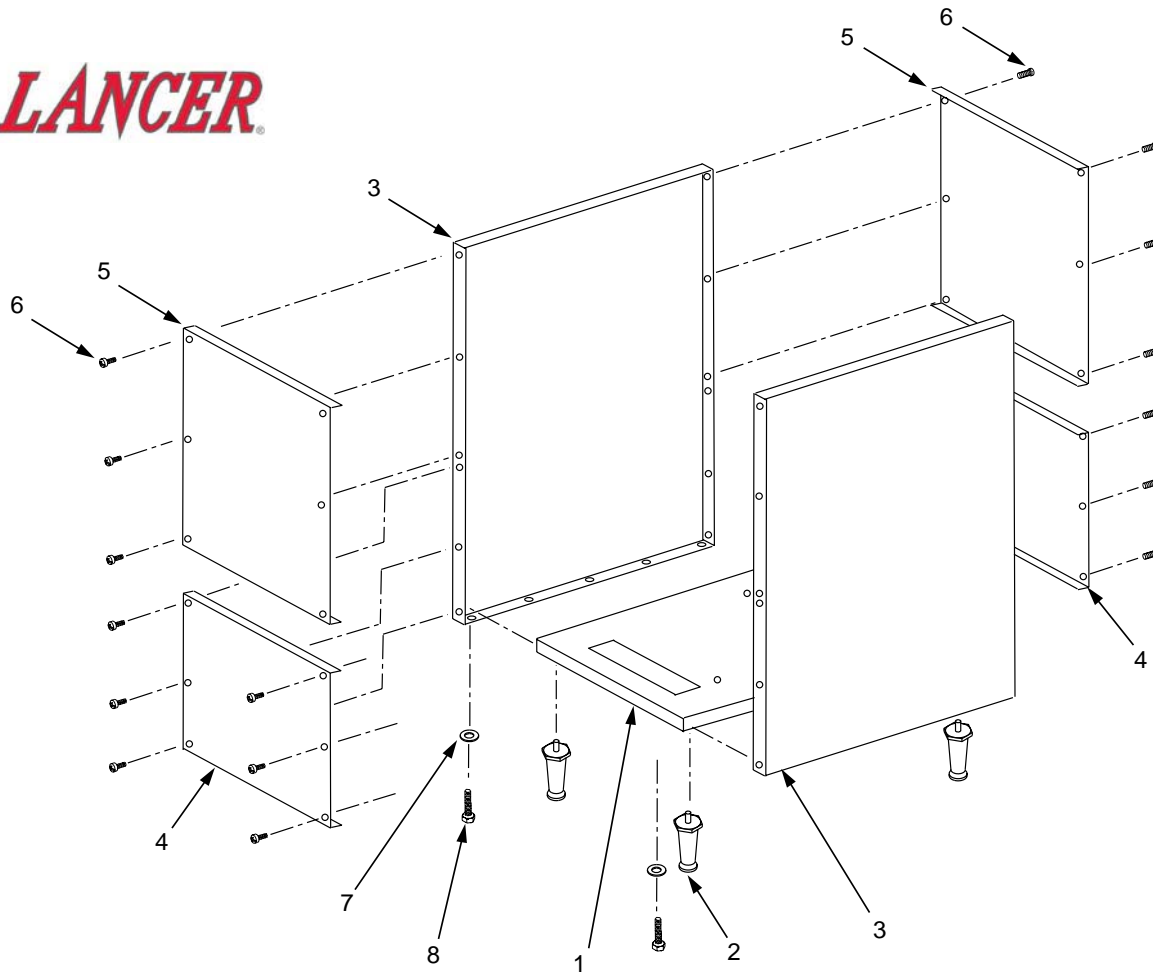
- NORTH AMERICA – 210-310-7245 • INTERNATIONAL SALES – 210-310-7242 • CUSTOMER SERVICE – 210-310-7242 •
- LATIN AMERICA – 210-524-9567 / 210-310-7245 • EUROPE – 32-2-755-2399 • PACIFIC – 61-8-8268-1978 •

FAX ENGINEERING: • 210-310-7096

"Lancer" is the registered trademark of Lancer • Copyright — 1999 by Lancer, all rights reserved.

DATE: 01/29/99  
P.N.: 28-0285/02

# LANCER



**LIST OF COMPONENTS,  
3023 DISPENSER**

| ITEM | PART NO. | DESCRIPTION   | QTY |
|------|----------|---|-----|
| 1    | 51-1274  | Bottom Assy,<br>Conversion<br>Stand                 | 1   |
| 2    | 81-0011  | Leg, Adjustable,<br>6.0 Inches Tall                 | 4   |
| 3    | 51-1266  | Side Panel,<br>Left/Right<br>Conversion<br>Stand    | 2   |
| 4    | 30-2522  | Panel, Bottom,<br>Front/Back<br>Conversion<br>Stand | 2   |
| 5    | 30-2521  | Panel, Top,<br>Front/Back<br>Conversion<br>Stand    | 2   |
| 6    | 04-0148  | Screw,<br>10 - 32 x 0.250                           | 24  |
| 7    | 04-0033  | Washer, 1/4   | 10  |
| 8    | 04-0520  | Screw,<br>1/4 - 20 x 0.500                          | 10  |

**LIST OF COMPONENTS,  
2323 DISPENSER**

| ITEM | PART NO.   | DESCRIPTION   | QTY |
|------|------------|---|-----|
| 1    | 51-0970    | Bottom Assy,<br>Conversion<br>Stand                 | 1   |
| 2    | 81-0011    | Leg, Adjustable,<br>6.0 Inches Tall                 | 4   |
| 3    | 51-1266    | Side Panel,<br>Left/Right<br>Conversion<br>Stand    | 2   |
| 4    | 30-1771/01 | Panel, Bottom,<br>Front/Back<br>Conversion<br>Stand | 2   |
| 5    | 30-1770/01 | Panel, Top,<br>Front/Back<br>Conversion<br>Stand    | 2   |
| 6    | 04-0148    | Screw,<br>10 - 32 x 0.250                           | 24  |
| 7    | 04-0033    | Washer, 1/4   | 10  |
| 8    | 04-0520    | Screw,<br>1/4 - 20 x 0.500                          | 10  |

**LIST OF COMPONENTS,  
1522 DISPENSER**

| ITEM | PART NO. | DESCRIPTION   | QTY |
|------|----------|---|-----|
| 1    | 51-1269  | Bottom Assy,<br>Conversion<br>Stand                 | 1   |
| 2    | 81-0011  | Leg, Adjustable,<br>6.0 Inches Tall                 | 4   |
| 3    | 51-1266  | Side Panel,<br>Left/Right<br>Conversion<br>Stand    | 2   |
| 4    | 30-2507  | Panel, Bottom,<br>Front/Back<br>Conversion<br>Stand | 2   |
| 5    | 30-2506  | Panel, Top,<br>Front/Back<br>Conversion<br>Stand    | 2   |
| 6    | 04-0148  | Screw,<br>10 - 32 x 0.250                           | 24  |
| 7    | 04-0033  | Washer, 1/4   | 10  |
| 8    | 04-0520  | Screw,<br>1/4 - 20 x 0.500                          | 10  |