

# INSTRUCTION SHEET

## INSTALLATION INSTRUCTIONS

### SABRE MARQUEE ADAPTOR, ICE COOLED DISPENSER

#### 1. INSTALLATION INSTRUCTIONS

**WARNING:**

**ENSURE THE POWER CORD IS UNPLUGGED FROM ELECTRICAL OUTLET TO PREVENT ELECTRICAL SHOCK OR PERSONAL INJURY.**

- 1.1 Unplug power cord and turn Key Switch OFF.
- 1.2 Remove Diamond Cut Sign (Coca-Cola script) from back of Sabre tower using a standard screwdriver.
- 1.3 Apply double stick tape to top of Sabre tower (see Figure 1).
- 1.4 Attach Lancer Marquee Adaptor using the two screws holding the valve plate to the Sabre tower.
- 1.5 Remove cup rest and splash panel.
- 1.6 Place wiring harness from the Lancer Marquee through the diamond cut sign opening. Follow wiring instructions that accompany Marquee. (If the wire connectors on the Lancer Marquee harness do not plug into the dispenser harness, use the self-splicing connectors supplied in the kit. *Attach 24V Marquee WHITE wire to 24V Dispenser WHITE wire and 24V Marquee BLACK wire to 24V Dispenser BLACK wire.*)
- 1.7 Attach the Lancer Marquee to the Adaptor. Any excess wire should be placed in the space under the adaptor.
- 1.8 Install new tower cap supplied with Adaptor Kit. Secure with the two (2) screws supplied with the cap.
- 1.9 Test for proper operation. Plug power cord into electrical outlet. The Lancer Marquee should illuminate without key switch being turned on. If Marquee does not illuminate, check wire harness connections.
- 1.10 Return dispenser to operation.
- 1.11 Install splash panel and cup rest.
- 1.12 Plug in power cord and turn key lock switch back to the ON position.

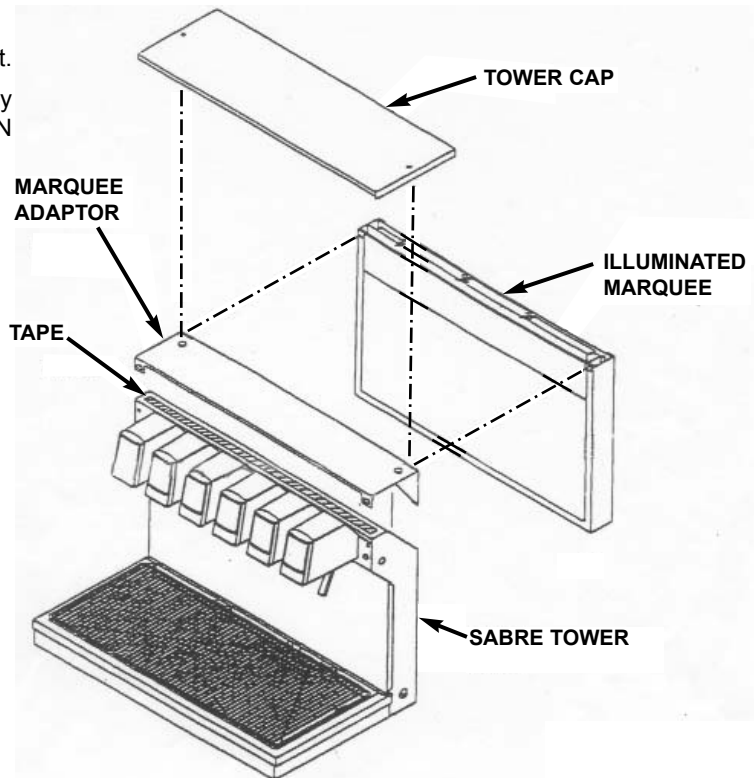


Figure 1

Please refer to the Lancer web site ([www.lancercorp.com](http://www.lancercorp.com)) for information relating to Lancer Installation and Service Manuals, Instruction Sheets, Technical Bulletins, Service Bulletins, etc.

**LANCER**

6655 LANCER BLVD. • SAN ANTONIO, TEXAS 78219 USA • (210) 310-7000

FAX SALES

• NORTH AMERICA – 210-310-7245 • INTERNATIONAL SALES – 210-310-7242 • CUSTOMER SERVICE – 210-310-7242 •  
• LATIN AMERICA – 210-310-7245 • EUROPE – 32-2-755-2399 • PACIFIC – 61-8-8268-1978 •

• FAX ENGINEERING: • 210-310-7096 •

• "Lancer" is the registered trademark of Lancer •  
• Copyright — 2004 by Lancer, all rights reserved •

DATE: 1998  
P.N. 28-0383