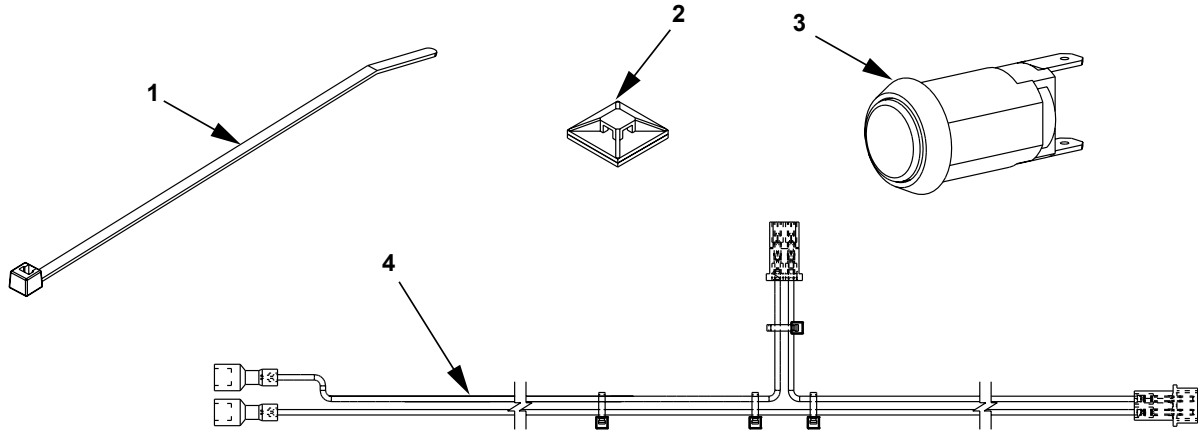


# INSTRUCTION SHEET FOR INSTALLING A KEY LOCK SWITCH ON A MARQUEE (KIT PART NUMBER 82-2976)

## 1. CONTENTS OF KIT

The Upgrade Kit (PN 82-2976) contains the following items:



ITEM	PN	DESCRIPTION	QTY
1	11-0018	Tie Wrap	3
2	03-0305	Wire Retainer,	3
3	12-0097	Switch, Key Lock	1
4	52-2374	Harness Assy, IM-1F-MATENLOK-1/4FO	1



Figure 1

## 2. INSTALLATION PROCEDURES

- 2.1 Turn power OFF to lighted marquee. Wait for marquee to cool down.
- 2.2 Remove tower cap.
- 2.3 Disconnect existing wire harness (see Figure 1).
- 2.4 Remove clear lenses, graphic panel, and reflector.
- 2.5 Remove stainless steel hole plug (see Figure 2).
- 2.6 Insert key lock (PN 12-0097). Use socket wrench (7/8") to fasten key lock.
- 2.7 Install wire retainers (PN 03-0305) *on the same side as the key lock*. Align with the edge of the bracket. For approximate location, see Figure 2.
- 2.8 Insert tie wraps (PN 11-0018) into retainers (PN 03-0305). **Do NOT fasten tie wraps at this time.**

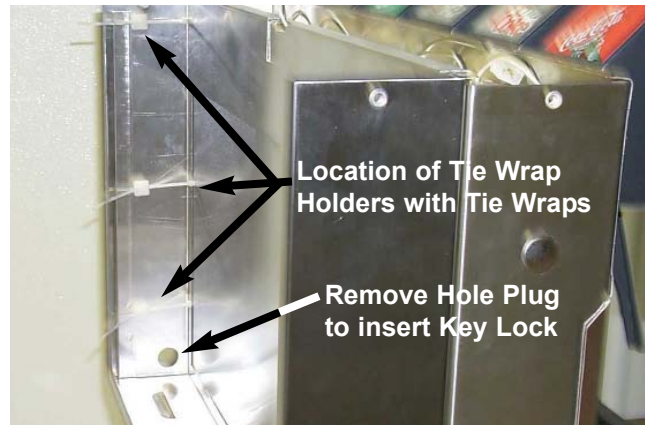


Figure 2

# LANCER

6655 LANCER BLVD. • SAN ANTONIO, TEXAS 78219 USA • (210) 310-7000

FAX SALES

• NORTH AMERICA – 210-310-7245 • INTERNATIONAL SALES – 210-310-7242 • CUSTOMER SERVICE – 210-310-7242 •  
• LATIN AMERICA – 210-310-7245 • EUROPE – 32-2-755-2399 • PACIFIC – 61-8-8268-1978 •

FAX ENGINEERING: • 210-310-7096

"Lancer" is the registered trademark of Lancer • Copyright — 2000 by Lancer, all rights reserved.

DATE: 02/02/01
P.N.: 28-0465

- 2.9 Install wire harness (PN 52-2374).
  - A. Connect 1/4" fast-on into key lock spades.
  - B. Route wiring harness wires over the tie wraps and then fasten tie wraps to secure wires; cut off excess tie wrap (see Figure 3).
- 2.10 Reinstall reflector.
- 2.11 Connect existing marquee wire harness to the newly installed wire harness.
- 2.12 Connect the other end of the newly installed wiring harness to the wiring harness lead to the transformer (see Figure 4).
- 2.13 Reinstall clear lenses, graphic panel, and tower cap.
- 2.14 Turn power ON to marquee.
- 2.15 Ensure the key lock is functioning properly by turning the key on the key lock to ensure the marquee lights turn on and off.



Figure 3

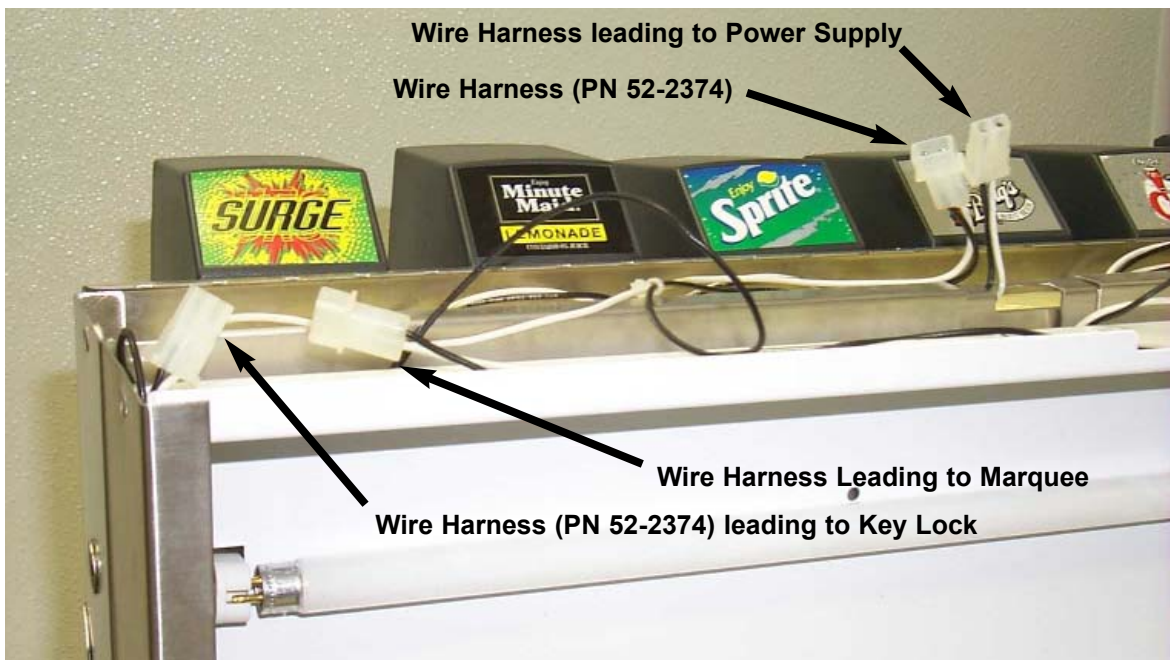


Figure 4

*For assistance , call Customer Service at 1-800-729-1500.*



*Please refer to the Lancer web site ([www.lancercorp.com](http://www.lancercorp.com)) for information relating to Lancer Installation and Service Manuals, Instruction Sheets, Technical Bulletins, Service Bulletins, etc.*