

INSTALLATION INSTRUCTIONS

ILLUMINATED MARQUEE

ICE COOLED DISPENSER

1. INSTALLATION PROCEDURES

1.1 PREPARATION

- A. Turn key switch OFF.

WARNING

UNPLUG THE POWER CORD FROM ELECTRICAL OUTLET TO PREVENT POSSIBLE ELECTRICAL SHOCK OR PERSONAL INJURY.

- B. Unplug power cord from electrical outlet.
- C. Remove existing tower cap (save screws for reinstallation), cup rest, drip tray, and splash plate from tower body.

1.2 WIRE HARNESS INSTALLATION (SEE FIGURE 1)

- A. Locate key lock switch wire harness that connects to the transformer harness.
- B. Disconnect these two (2) wire harnesses.
- C. Connect wire harness (PN 52-1472) to the two (2) harnesses that were disconnected.
- D. Route the longest section of the wire harness along the side and over the top of the foam manifold.

1.3 MARQUEE INSTALLATION (SEE FIGURE 2)

- A. Remove protective cover from adhesive tape which is attached to the marquee.
- B. Attach marquee, by sliding the marquee's sheetmetal return over the notch at each end of the tower body return.

NOTE

Keep adhesive tape away from tower body until tower is in final position.

- C. Run marquee connector through slot located in the back of tower body.
- D. Plug marquee connector to wire harness (PN 52-1472).
- E. Install new tower cap. Secure with the two (2) screws removed in Step 1.1C above.

2. TEST FOR PROPER OPERATION

- 2.1 Plug power cord into electrical outlet.
- 2.2 Marquee should illuminate without key switch being turned on.
- 2.3 If marquee does not illuminate, then check wire harness connections (see Step 1.2 above).

3. RETURN DISPENSER TO OPERATION

- 3.1 Install splash plate, drip tray, and cup rest to tower body.
- 3.2 Turn key lock switch back to the ON position.

Please refer to the Lancer web site (www.lancercorp.com) for information relating to Lancer Installation and Service Manuals, Instruction Sheets, Technical Bulletins, Service Bulletins, etc.



6655 LANCER BLVD. • SAN ANTONIO, TEXAS 78219 USA • (210) 310-7000

FAX SALES

• NORTH AMERICA – 210-310-7245 • INTERNATIONAL SALES – 210-310-7242 • CUSTOMER SERVICE – 210-310-7242 •
• LATIN AMERICA – 210-310-7245 • EUROPE – 32-2-755-2399 • PACIFIC – 61-8-8268-1978 •

FAX ENGINEERING: • 210-310-7096

"Lancer" is the registered trademark of Lancer • Copyright — 1997 by Lancer, all rights reserved.

DATE: 01/24/97
P.N.: 28-0643/01

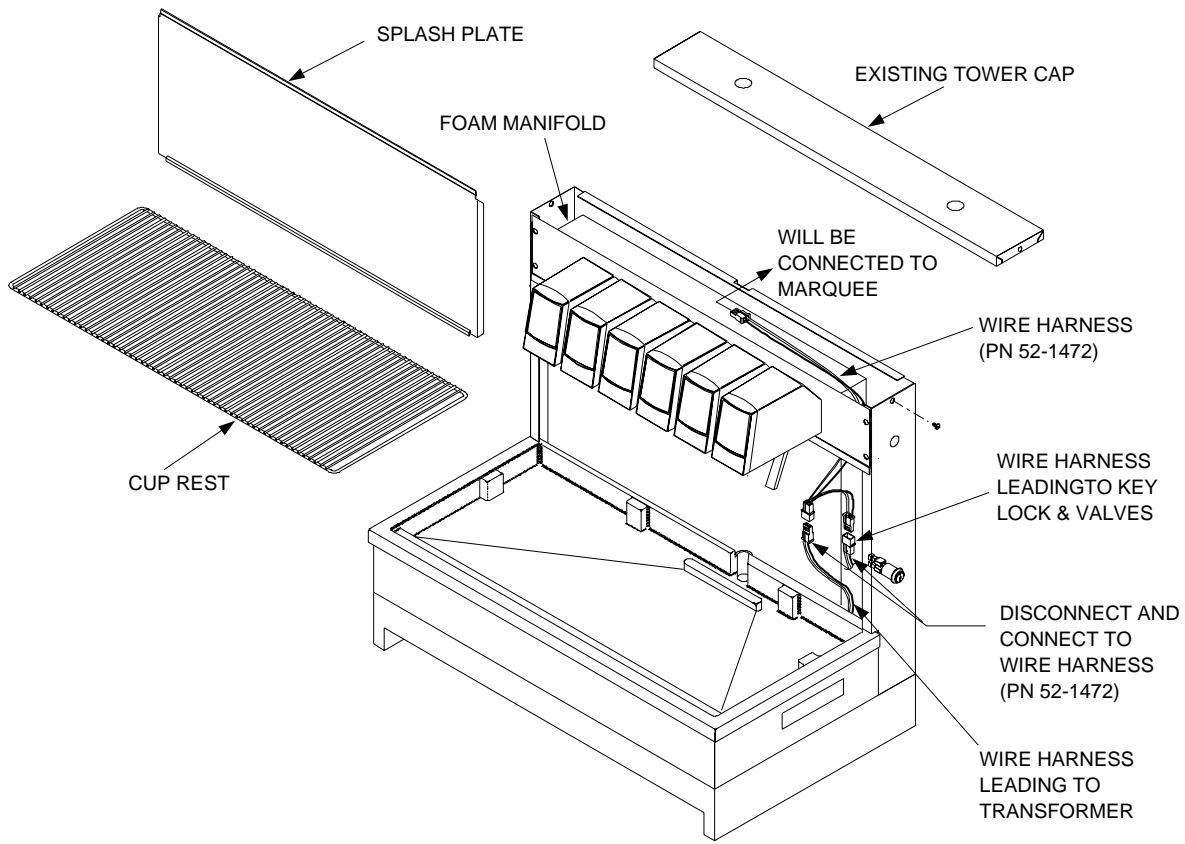


Figure 1

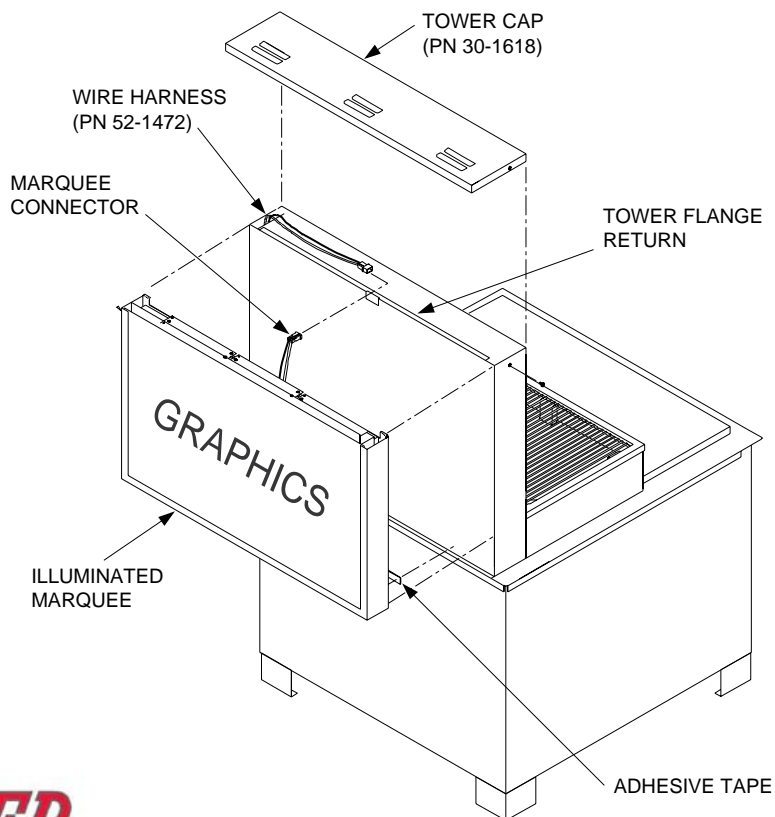


Figure 2

LANCER