

INSTALLATION INSTRUCTIONS 24 VOLT MARQUEE

1. INSTALLATION PROCEDURES

WARNING

UNPLUG THE POWER CORD FROM ELECTRICAL OUTLET TO PREVENT POSSIBLE ELECTRICAL SHOCK OR PERSONAL INJURY.

- 1.1 Disconnect electrical power to dispensing unit.
- 1.2 Remove Cap (save screws for reinstallation) from Tower.
- 1.3 Remove Cup Rest and Splash Plate.
- 1.4 Remove backing from double sided adhesive tape and hang Marquee from Tower. Press on lower edge of Merchandiser to secure tape.

NOTE

Keep adhesive tape away from Tower body until Tower is in final position.

- 1.5 Feed Extension Harness (PN 52-2447) through the Wire Chase in the Ice Bin (from underneath), and connect to Marquee Wire Harness at the top of the Tower.
- 1.6 Connect Power Supply Harness to the Extension Harness.
- 1.7 Re-install Splash Plate, Cup Rest, and Cap. Secure Cap with screws removed in Step 1.2 above.
- 1.8 Connect electrical power to both power supplies on unit.

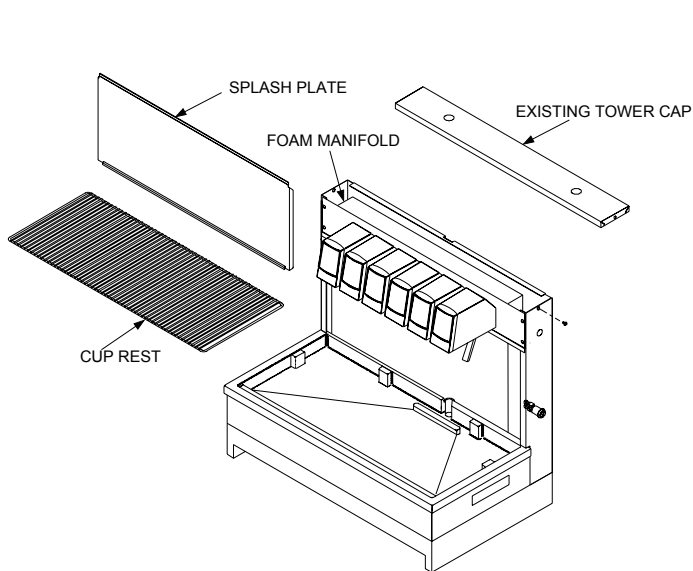


Figure 1

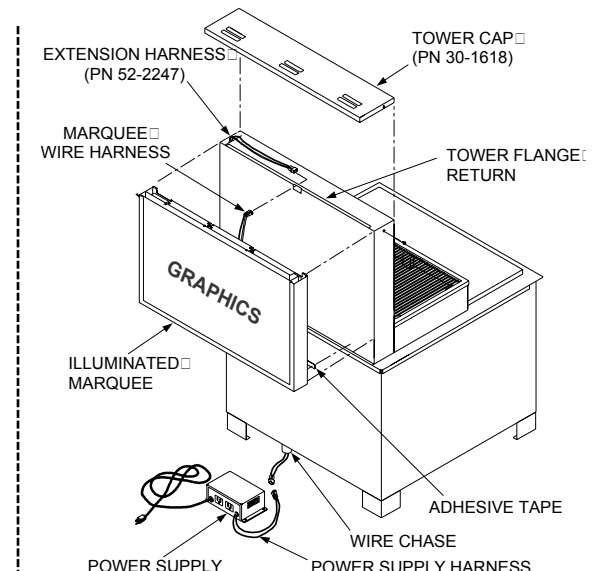


Figure 2

NOTE: A Key Lock Kit (PN 82-2976) is available for the 23" Ice Cooled Unit, allowing the power to the Marquee to be ON or OFF independently of the unit.