

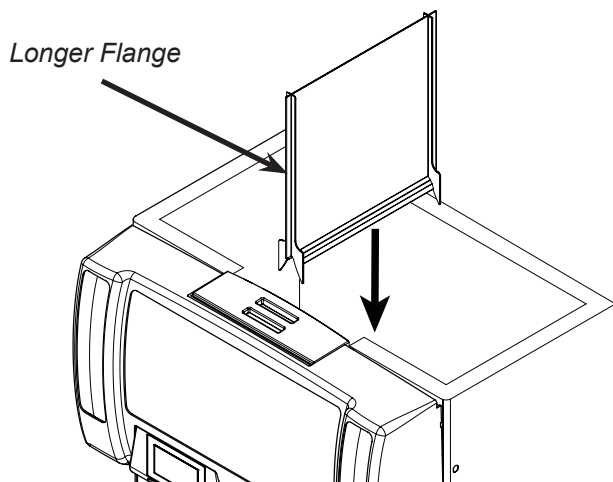
The following illustrates the steps necessary to install the icemaker bin adapters and corresponding filler plates for 22, 25, 30 inch Ice Beverage Dispenser units and 44" Dual Ice Beverage Dispenser units.

### Installation

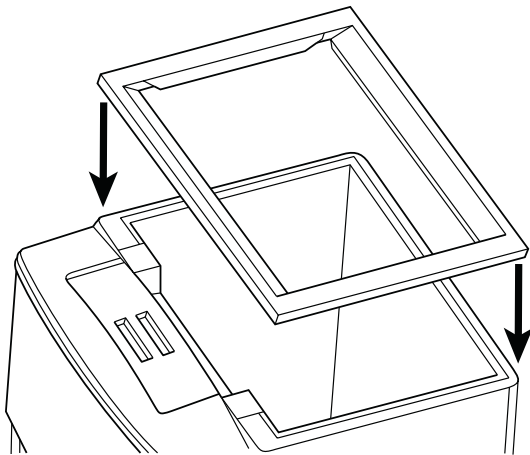
1. Remove the Ice Bin Lid.
2. For 44" units that utilize the dual ice feature, insert the center divider plate into the ice bin.

#### NOTE

When installing the center divider plate, make sure the side with the longer flange is positioned at the front of the dispenser.

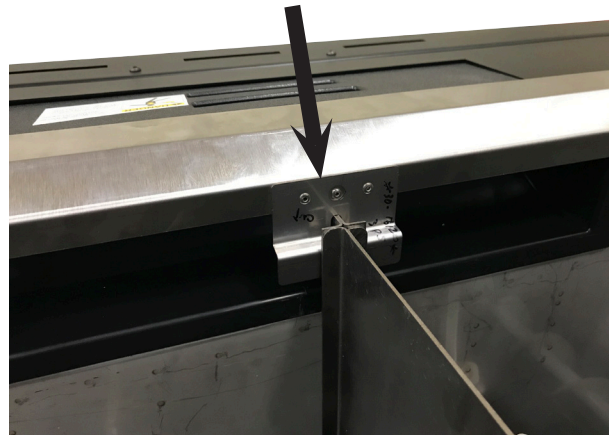


3. Install the Icemaker Adapter Base provided with kit.

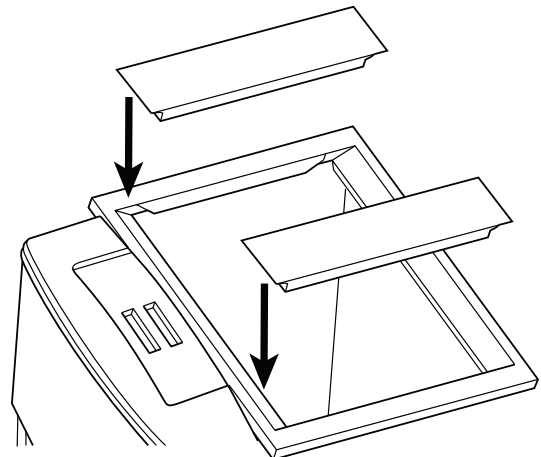


#### NOTE

For 44" units with the dual ice feature, make sure to align the notches on the base plate with the top of the center divider plate installed in step 2. Make sure the edge of the base plate with the bent flanges faces inward toward the base unit.



4. Install any necessary Vertical Filler Plates to either side of Adapter Base.



5. Install any necessary Horizontal Filler Plates to top of Vertical Filler Plates in order to fit the unique connection between the icemaker and the dispenser.

Lancer Corp., 6655 Lancer Blvd., San Antonio, Texas 78219 - 800-729-1500 - Technical Support/Warranty: 800-729-1550

custserv@lancercorp.com - lancercorp.com - Manual PN: 28-0973/01 - October 2018

"Lancer" is the registered trademark of Lancer © 2018 by Lancer, all rights reserved.