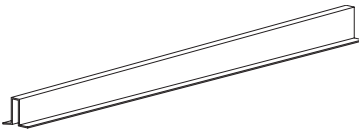
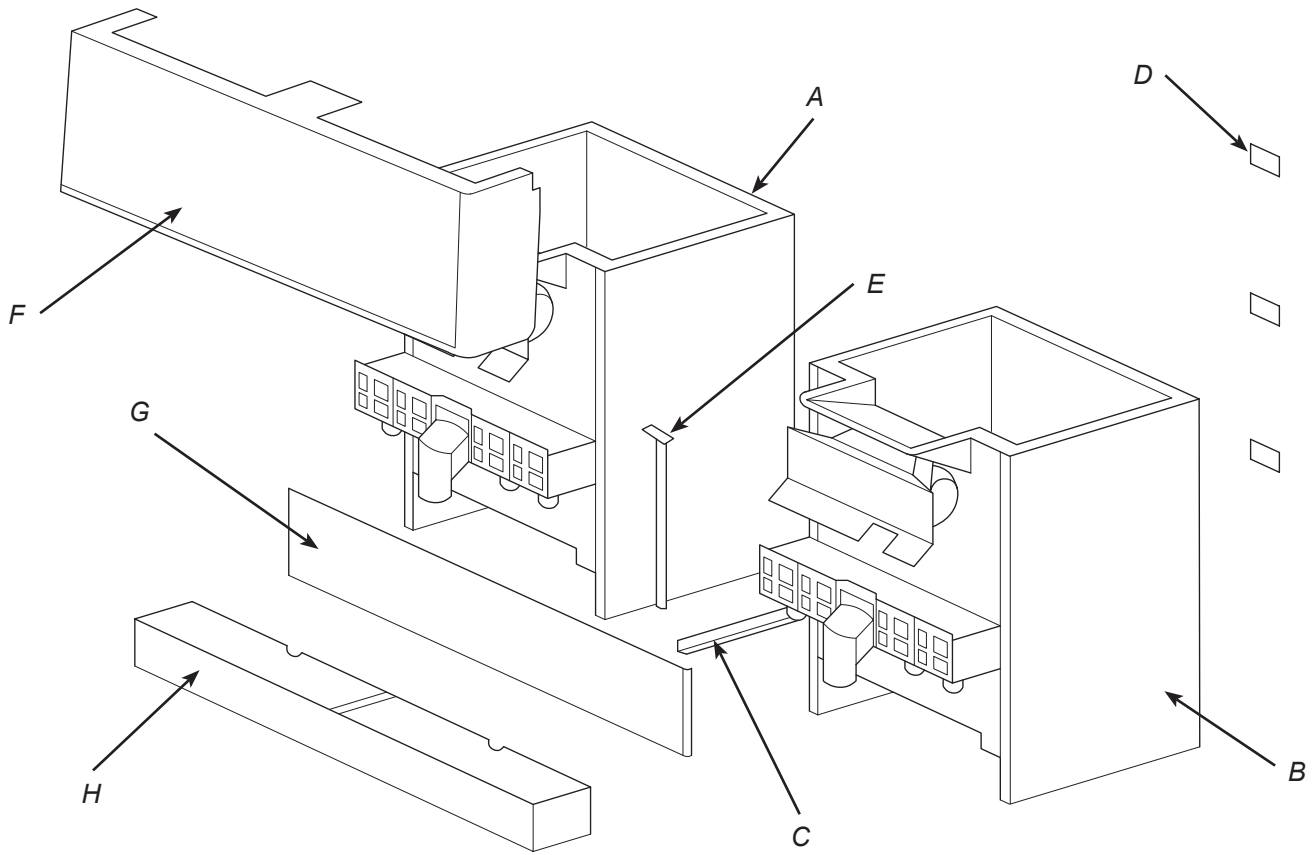
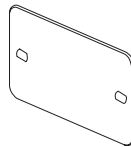


### General System Overview



C



D

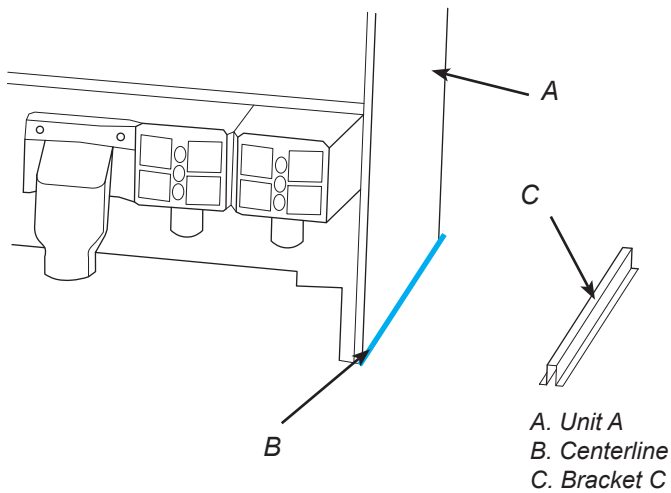


E

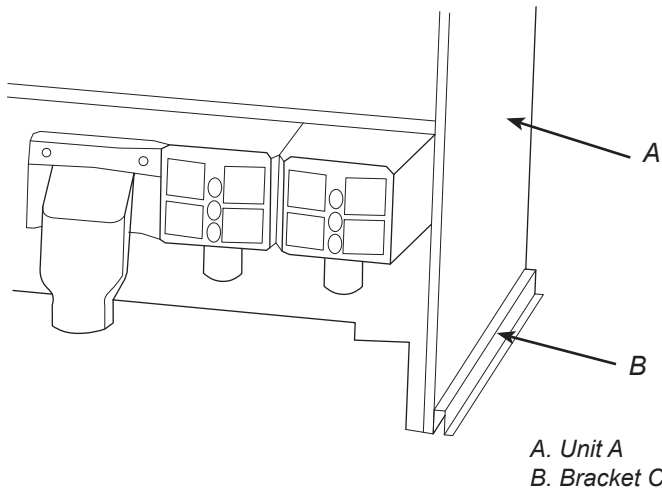
- A. Unit A
- B. Unit B
- C. Bracket C (51-6197)
- D. Bracket D x3 (30-11698)
- E. Bracket E (30-11781)
- F. Merchandiser Assembly  
-82-9999-070402 (IBD-60)
- G. Splash Plate
- H. Drip Tray

# Installation - IBD 60

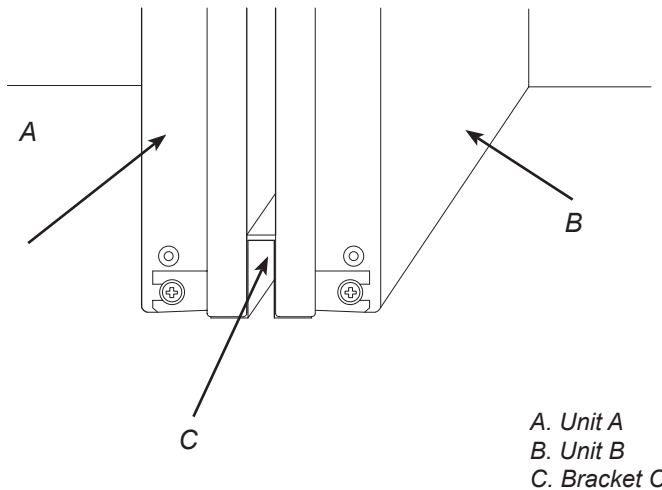
1. Remove Ice Bins for both Units A and B and set aside.
2. Set the right side of Unit A on the center line of the desired position.



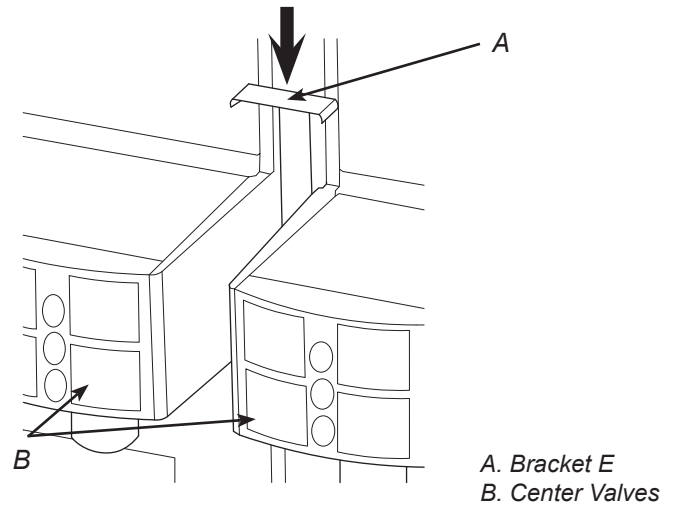
3. Place Bracket C next to Unit A, aligned to the right panel.



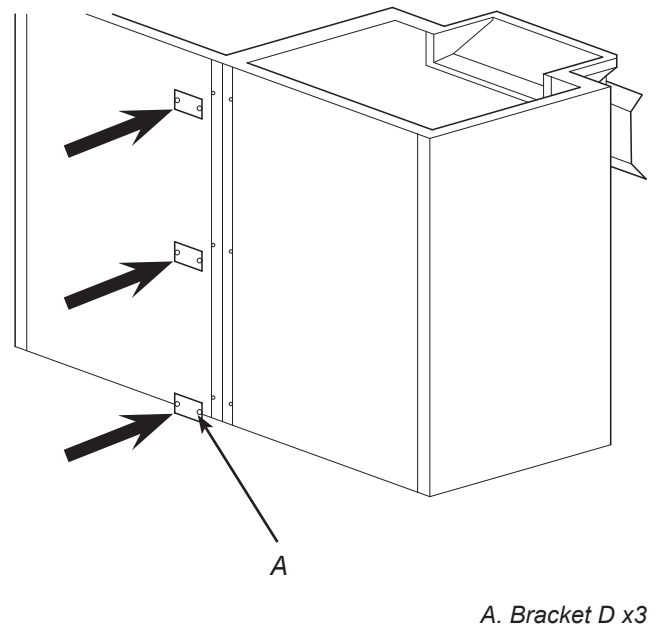
4. Slide Unit B next to Unit A and against Bracket C to create a gap between the two units as shown in figure.



5. Install Bracket E inbetween the two center valves located in the front of the unit.



6. Remove the screws from wrapper in the center backside of the units and install Bracket D (x3) by screwing the brackets into the corresponding places in the back of the unit.



## Installation - Merchandiser IBD 60, 16 inches tall, One piece set

---

- Lift full, one piece Merchandiser and slide into place using the two manual fill zones located at the top of both Units A and B.

### **⚠ WARNING**

Installation of the 16 inch, one piece Merchandiser requires the help of a second installer. Use proper lifting techniques to avoid personal injury.

### **⚠ ADVERTENCIA**

La instalación de la comerciante de 16 pulgadas requiere la ayuda de un segundo instalador. Utilice técnicas de elevación adecuadas para evitar daños personales.

### **⚠ AVERTISSEMENT**

Installation de la Merchandiser pièce de 16 pouces nécessite l'aide d'une deuxième installateur. Utilisez des techniques de levage appropriées pour éviter les blessures.

### **NOTE**

Please refer to the Lancer Operation Manuals, *PN: 28-0255/12*, located on the Lancer website ([lancercorp.com](http://lancercorp.com)) for complete installation instructions for the IBD units.

### **NOTE**

Please refer to the Lancer website ([lancercorp.com](http://lancercorp.com)) for more information relating to Lancer Installation and Operation Manuals, Instructions Sheets, Technical Bulletins, etc.

Lancer Corp., 6655 Lancer Blvd., San Antonio, Texas 78219

800-729-1500 - Technical Support/Warranty: 800-729-1550

[custserv@lancercorp.com](mailto:custserv@lancercorp.com) - [lancercorp.com](http://lancercorp.com)

Manual PN: 28-2848 - February 2015

"Lancer" is the registered trademark of Lancer © 2015 by Lancer, all rights reserved.