

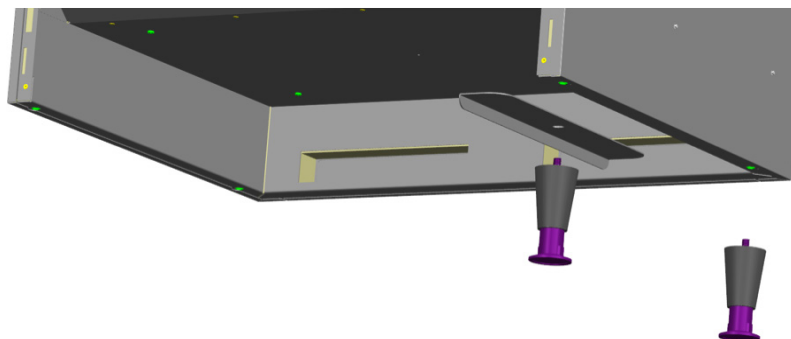
NOTE: Before installation, remove cladding to avoid damage

⚠ WARNING TO AVOID INJURY OR DAMAGE TO THE UNIT, IT IS RECOMMENDED THAT A MECHANICAL LIFT IS UTILIZED FOR PROPER INSTALLATION AND A MINIMUM OF TWO (2) INSTALLERS ARE REQUIRED. ALWAYS USE PROPER LIFTING TECHNIQUES.

1. Carefully tilt the unit to the left side to install the right legs. DO NOT LAY THE UNIT ON ITS SIDE OR BACK.
2. Orientate brackets as shown. The angle should be towards the center of the unit with the flat surface facing upwards.



3. Install the front right leg while holding the bracket. Securely fasten the leg to the unit to ensure the bracket does not pivot. Install the rear right leg.



Lancer Corp., 6655 Lancer Blvd., San Antonio, Texas 78219

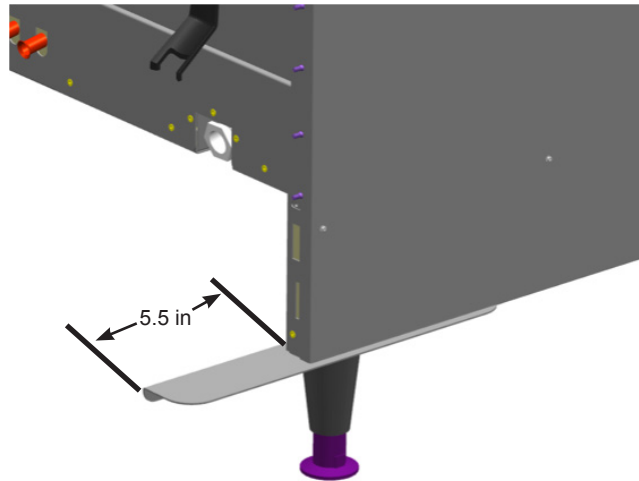
800-729-1500 - Technical Support/Warranty: 800-729-1550

custserv@lancercorp.com - lancercorp.com

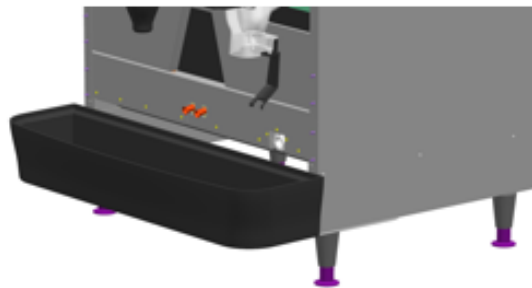
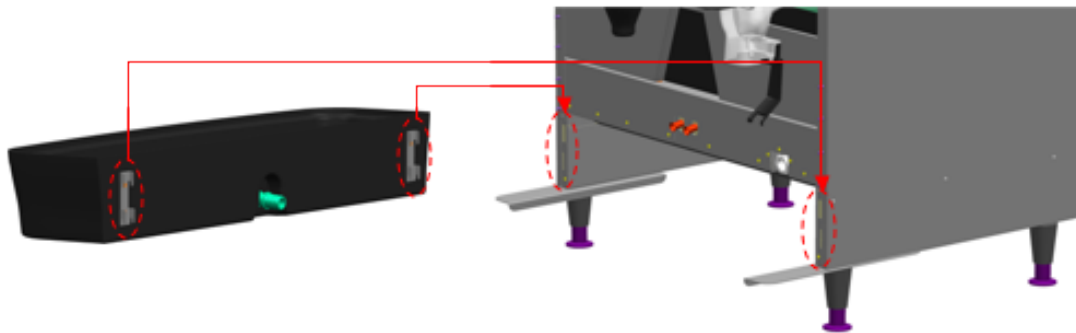
Manual PN: 28-XXXX - (DATE)

“Lancer” is the registered trademark of Lancer © 2014 by Lancer, all rights reserved.

- The bracket will extend approximately 5.5 in. from the front of the unit.



- Repeat steps 1 – 4 for the left side legs.
- Hook drip tray into proper captive features located on the front of the unit. The brackets are not designed to replace those features.



- Level unit by adjusting leg height.
- Proceed with the installation process in the manufacturer's installation manual.