

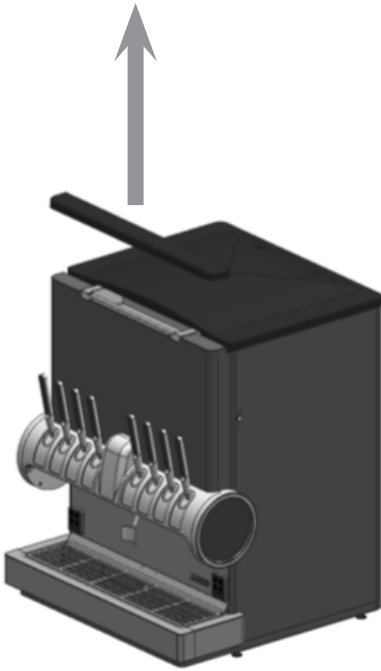
The following illustrates the steps in order to gain access to the unit's dispensing valves for service.

Required Tools

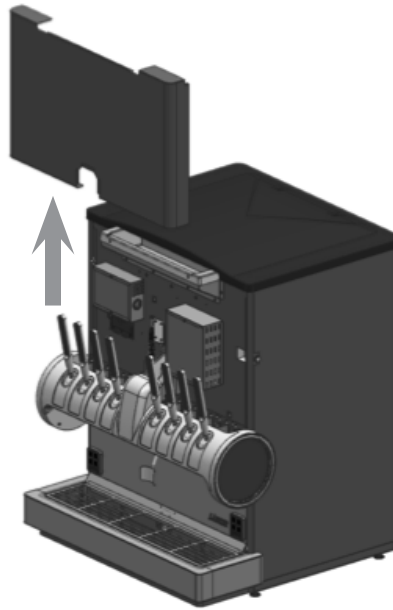
- Phillip's Screwdriver

Access to Valves

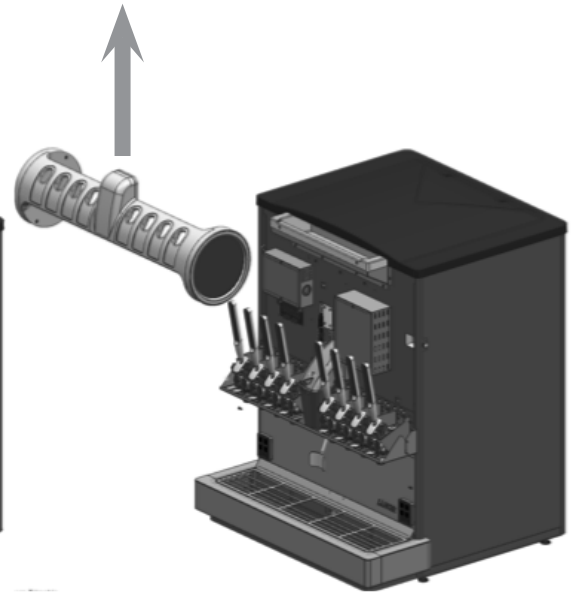
1. Remove Front Ice Bin Lid.



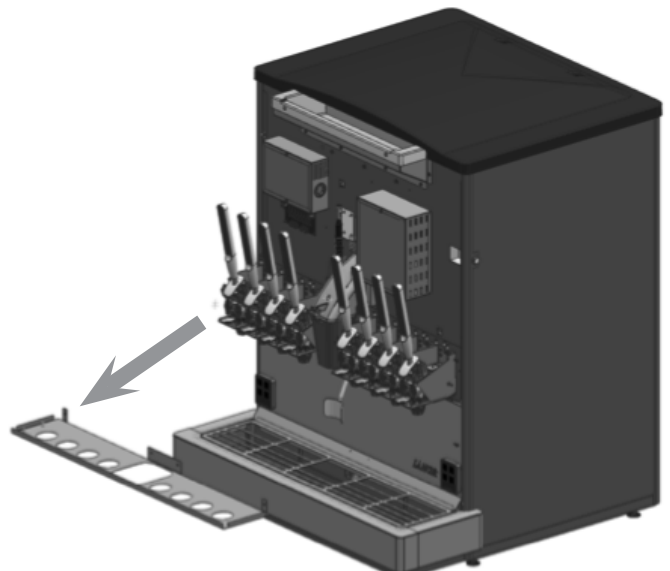
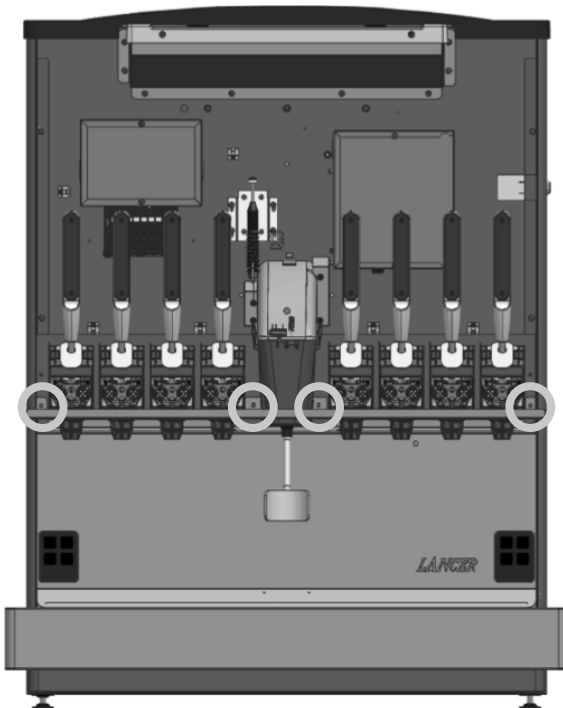
2. Remove Merchandiser by sliding up.



3. Remove Valve Log by carefully lifting the log straight up.



4. Using a Phillip's screwdriver, remove the 4 screws of the lower valve plate and remove from unit to gain access to valves.



Lancer Corp., 6655 Lancer Blvd., San Antonio, Texas 78219

800-729-1500 - Technical Support/Warranty: 800-729-1550

custserv@lancercorp.com - lancercorp.com

Manual PN: 28-0950 - November 2015

"Lancer" is the registered trademark of Lancer © 2015 by Lancer, all rights reserved.