

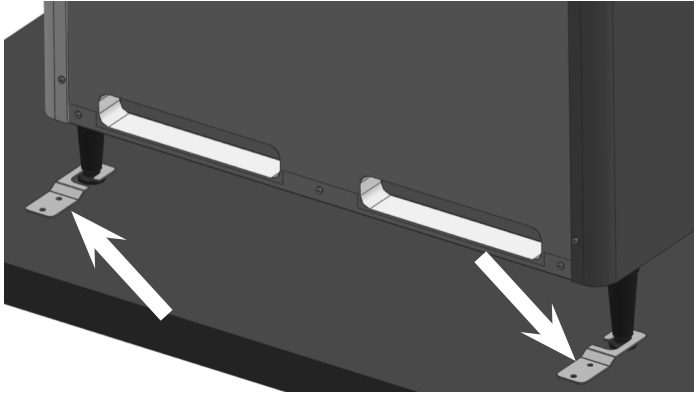
The following illustrates the steps in order to install anchors to secure unit to counter.

Required Tools

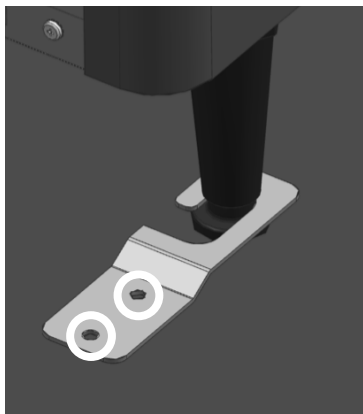
- Marker
- Cordless Drill

Anchor Installation

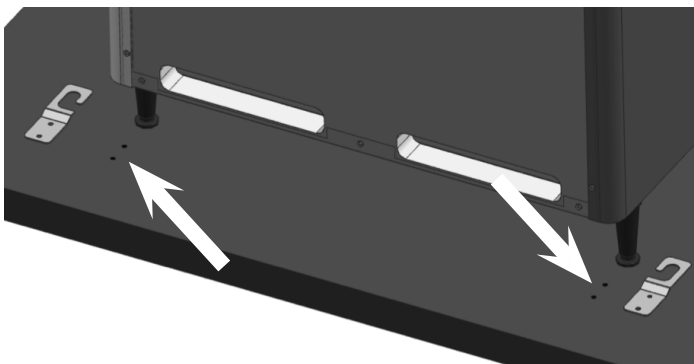
1. Once the unit location has been determined and the unit has been placed on counter, pre-install leg anchors in their appropriate locations.



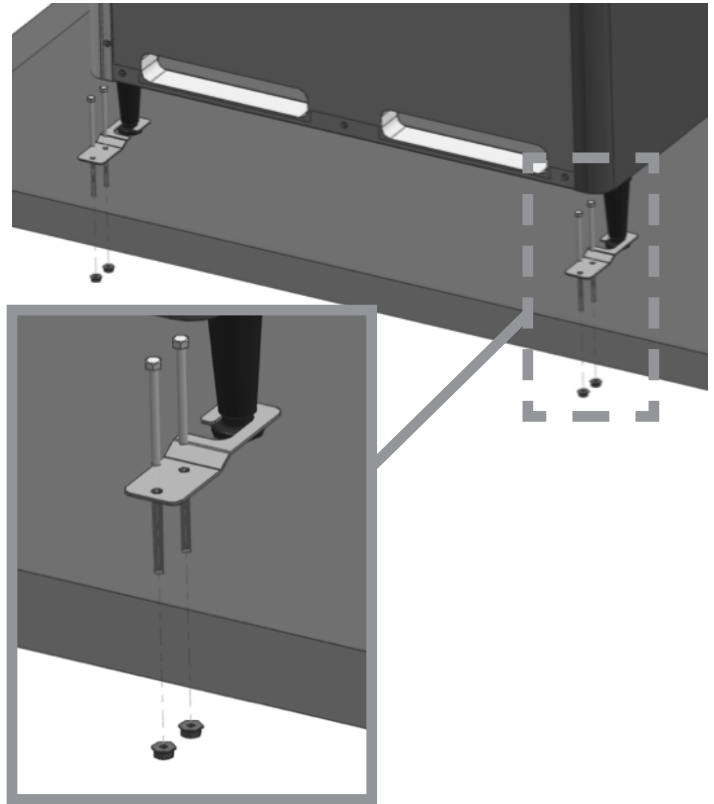
2. Mark the screw positions for the leg anchors onto counter then remove anchors.



3. Using a cordless drill, drill a 1/2" hole through counter at marked screw positions.

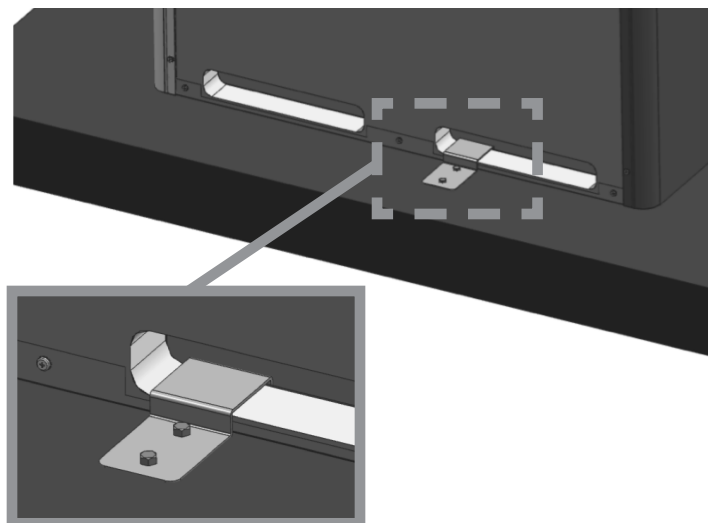


4. Replace leg anchors and using the screws and nuts provided, attach anchors to counter.



NOTE

If unit is to be installed without legs, follow steps 1 through 4 using the center anchor instead of leg anchors.



Lancer Corp., 6655 Lancer Blvd., San Antonio, Texas 78219

800-729-1500 - Technical Support/Warranty: 800-729-1550

custserv@lancercorp.com - lancercorp.com

Manual PN: 28-0951 - November 2015

"Lancer" is the registered trademark of Lancer © 2015 by Lancer, all rights reserved.