

INSTRUCTION SHEET

SERIES 4500 / IBD30 AND THE FS30 - PELLET ICE ASSEMBLY / PARTS LISTING

NOTE

If needed, see Lancer Installation and Service Manual, 28-0255/XX, for the IBD30, or Lancer Installation and Service Manual, 28-0558/XX, for the FS30, on the Lancer Website.

Please refer to the Lancer web site (www.lancercorp.com) for information relating to Lancer Installation and Service Manuals, Instruction Sheets, Technical Bulletins, Service Bulletins, etc.

NOTICE:

The Pellet Ice components listed on this Instruction Sheet are to be used **ONLY** in conjunction with Nugget, Cubelet, or Chewblet ice. **LANCER** makes no warranty of any kind with regard to these components being used with any other kind of ice.

Lancer Kit Part Number 82-3491 is available in order to support the functionality of Lancer's FS30 and IBD30 Dispensers.

Kit 82-3491 contains the top cover assembly (Lancer PN 42-0109). THIS COVER CAN BE USED WITH EITHER A SCOTSMAN OR HOSHIZAKI PELLET ICE MACHINE.

Labels are affixed to the top of this cover indicating the proper orientation for each machine (see Figure 1).

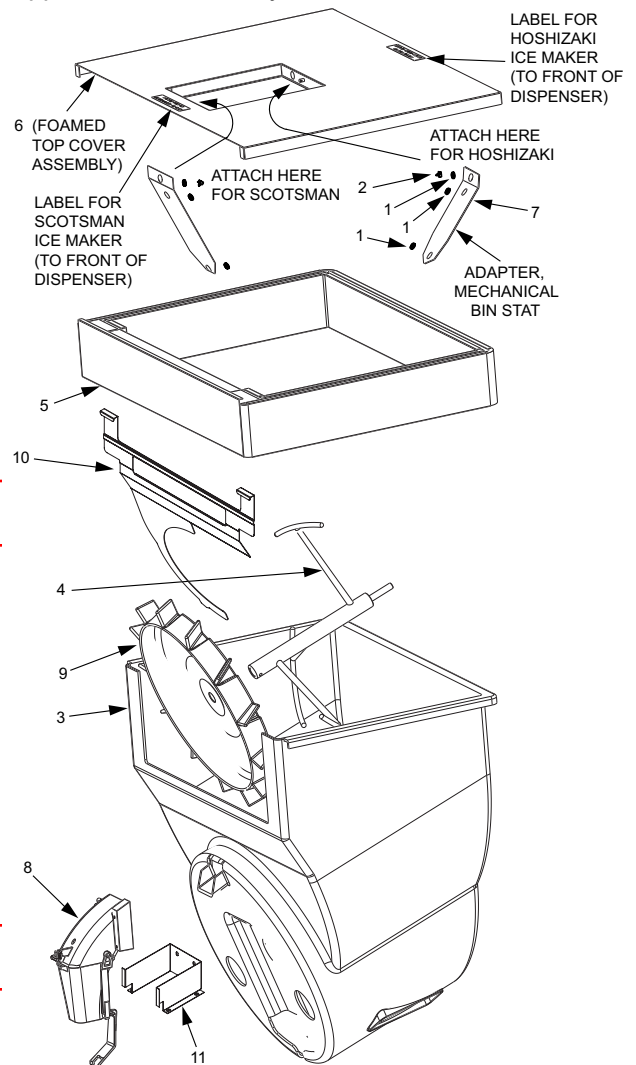


Figure 1

IBD30	FS30	ITEM	PART NO.	DESCRIPTION	QTY
X	X	1	02-0577	Grommet, Rubber, G3002	3
X	X	2	03-0368	Retainer, Pin, Agitator, IBD	1
X	X	3	05-2293/01	Ice Shroud, IC	1
X	X	4	23-1401	Agitator Assy, Helical, IC, HEX	1
X		5*	23-1363	Extension Assy, 4 1/2", IBD30	1
X	X	6	42-0109	Foamed Cover, Scots/Hoshi, Pellet Ice	1
X	X	7	30-9446	Adapter, Mech Bin-Stat, Scots	1
X	X	8	82-3538	Ice Chute Assy, IBD30, Pellet Ice	1
X	X	9	82-3651	Dispensing Wheel Assy, Pellet Ice, HEX	1
X	X	R 10	30-9880	Shield, Nugget Ice, One Piece with Tab	1
	X	11**	30-8832/01	Bracket, Valve Plate, FS30 (Used only on the FS30 Dispenser)	1

R in margin indicates new, revised, or realigned information.

NOTE:

*Item 5 is **NOT** used on the FS-30 Dispenser.
Item 11 is **NOT used on the IBD 4500 Series.

LANCER

6655 LANCER BLVD. • SAN ANTONIO, TEXAS 78219 USA • (210) 310-7000

FAX SALES

• NORTH AMERICA – 210-310-7245 • INTERNATIONAL SALES – 210-310-7242 • CUSTOMER SERVICE – 210-310-7242 •
• LATIN AMERICA – 210-310-7245 • EUROPE – 32-2-755-2399 • PACIFIC – 61-8-8268-1978 •

• FAX ENGINEERING: • 210-310-7096 •

• "Lancer" is the registered trademark of Lancer •
• Copyright — 2006 by Lancer, all rights reserved •

DATE: 03/15/06
P.N. 28-0571/04