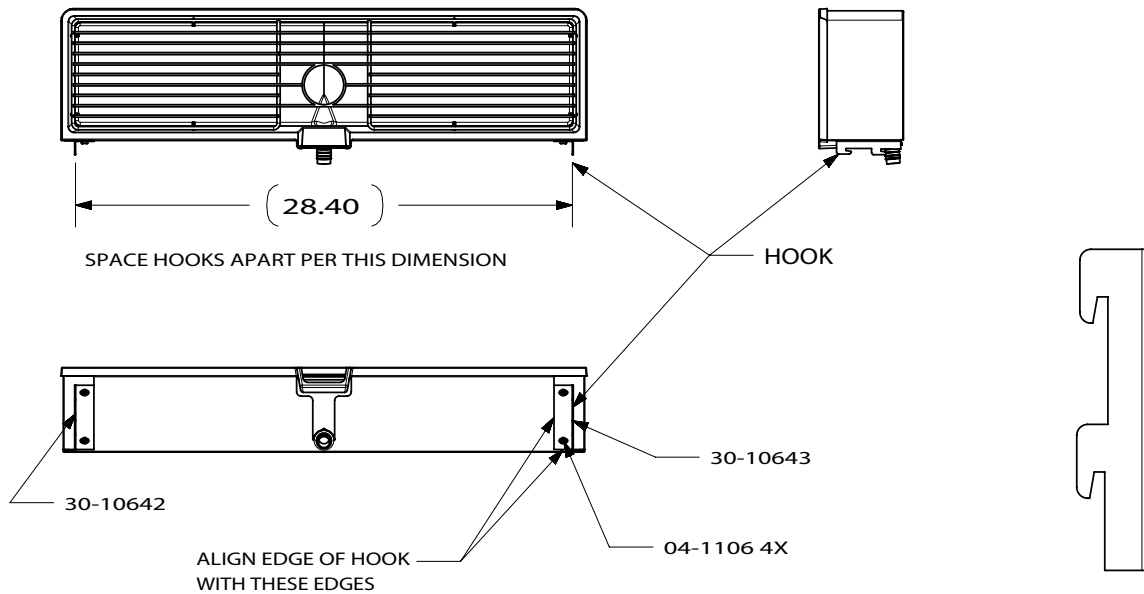
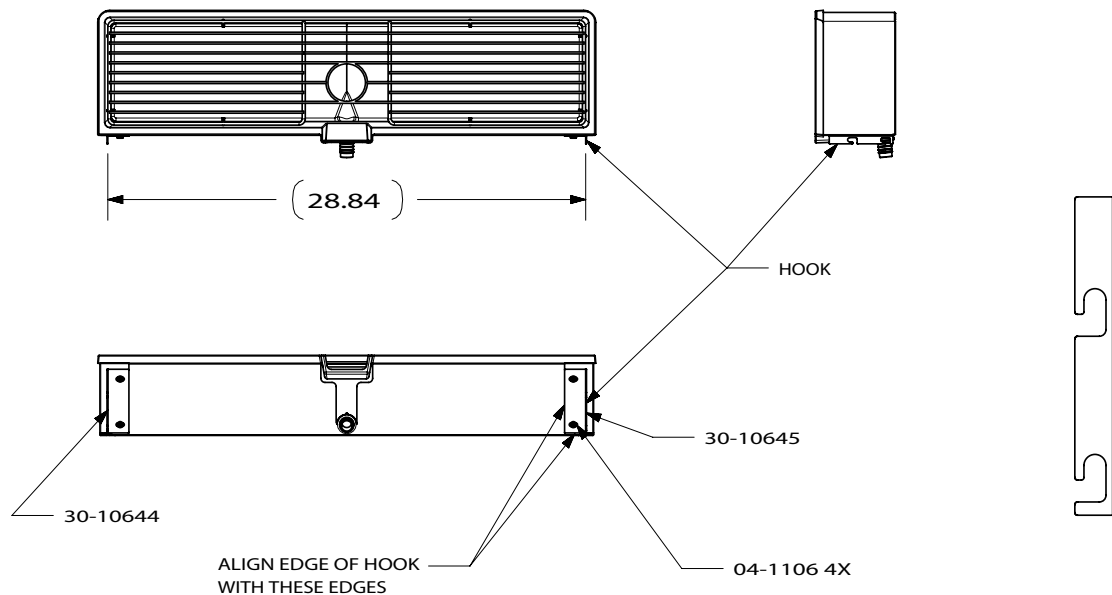


Use these instructions to install the universal 30" drip tray (Lancer PN 82-4183) for IBD/FS/ACIB.

Current Design:



Legacy (Pre-2003) Design:



LANCER CORP, 6655 Lancer Blvd., San Antonio, Texas 78219

To order parts, call Customer Service: 800-729-1500 - Warranty/Technical Support: 800-729-1550

Email: custserv@lancercorp.com - website: www.lancercorp.com

Manual PN: 28-0801 - JUNE, 2013

"Lancer" is the registered trademark of Lancer © 2010 by Lancer, all rights reserved.