

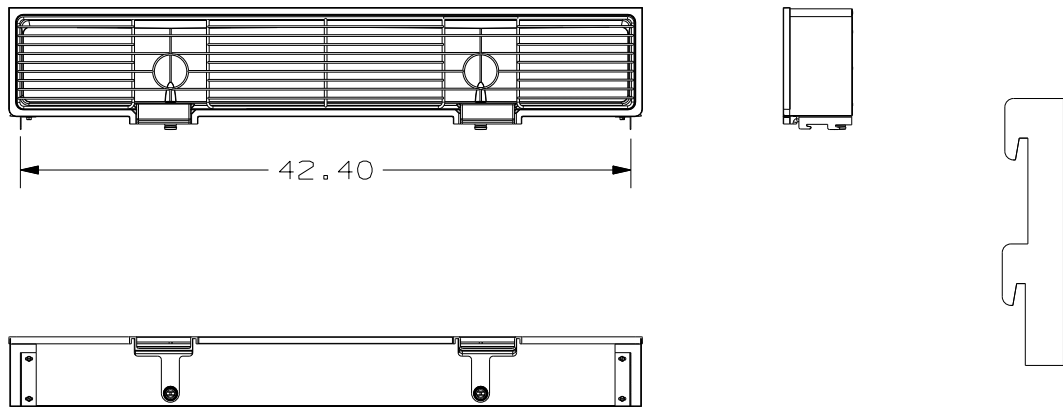


IBD/FS/ACIB 44" Universal Drip Tray Installation

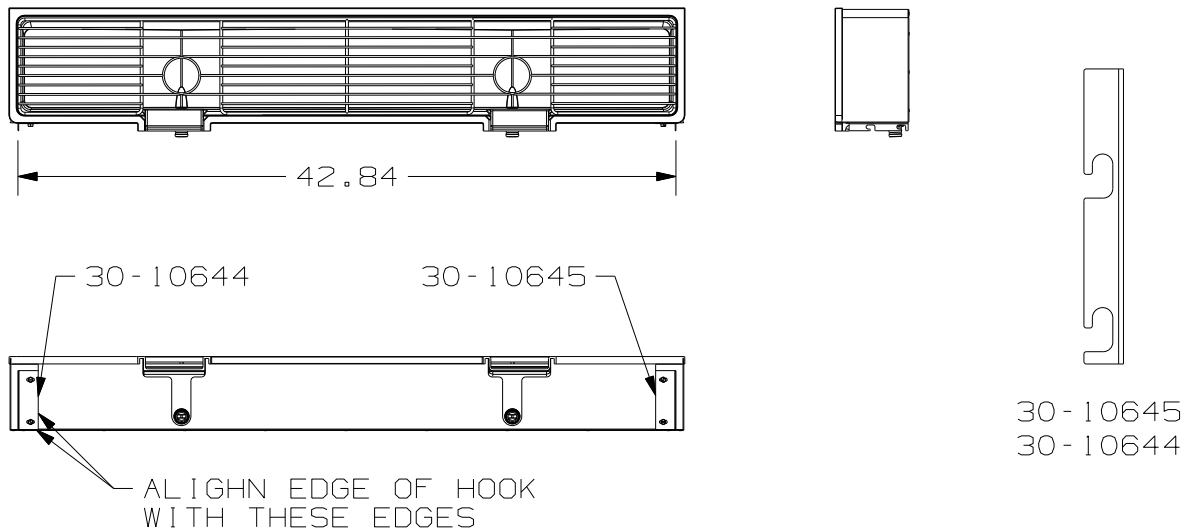
Instruction Sheet
PN 28-0820

Use these instructions to install the universal 44" drip tray (Lancer PN 82-4254) for IBD/FS/ACIB.

Current Design:



Legacy (Pre-2003) Design:



**When replacing the Legacy (Pre-2003) Design Hooks:
Remove existing hooks from Drip Tray Assembly,
and replace with 30-10644 and 30-10645 as shown.**