

INSTRUCTION SHEET

RETROFIT KIT AND PARTS LISTING, ABCO VENTED CHECK VALVE

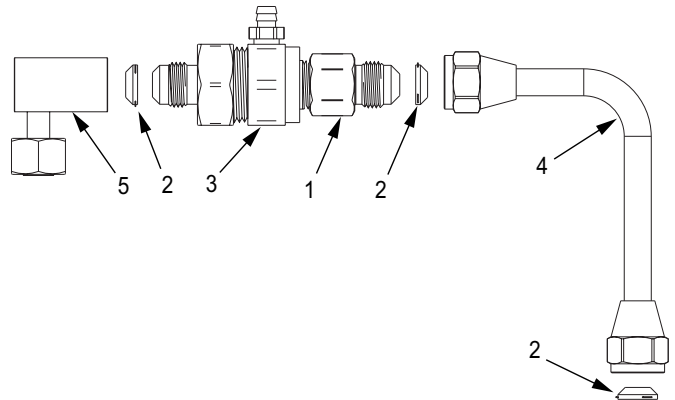
LANCER KIT PART NUMBER 82-3663

1. KIT CONTENTS

1.1 The Backflow Preventer Retrofit Kit (PN 82-3663) includes the following:

ITEM	PN	DESCRIPTION
1	01-1897	3/8 NPT (F) X 3/8 Flare (M) Adapter
2	05-0017	3/8 Flare Washer
3	17-0611	Vented Check Valve, Brass
4	48-2387	Water Tube Assy
-	06-2014/01	CO ₂ WARNING Label
-	06-2251	ASSE 1022 Label
-	08-0105	Discharge Tube
R 5	01-2013	Water Inlet Fitting
R --	01-0111	Pump Adapter

R in margin indicates change or revision



2. INSTALLATION INSTRUCTIONS

- 2.1 Shut OFF power, CO₂ supply, and water supply to carbonator.
- 2.2 Bleed off pressure in carbonator by lifting lever on the pressure relief valve.
- 2.3 Remove the water inlet fitting, check valve, and water tube assembly to pump.
- 2.4 If the Backflow Preventer is being installed on Lancer carbonators manufactured **before** October 1999, the pump outlet brass adapter is approximately 1/2 inch higher than the pump inlet brass adapter. In this case, the outlet pump adapter should be replaced with the pump adapter (PN 01-0111) provided in the kit (see Figure 1).

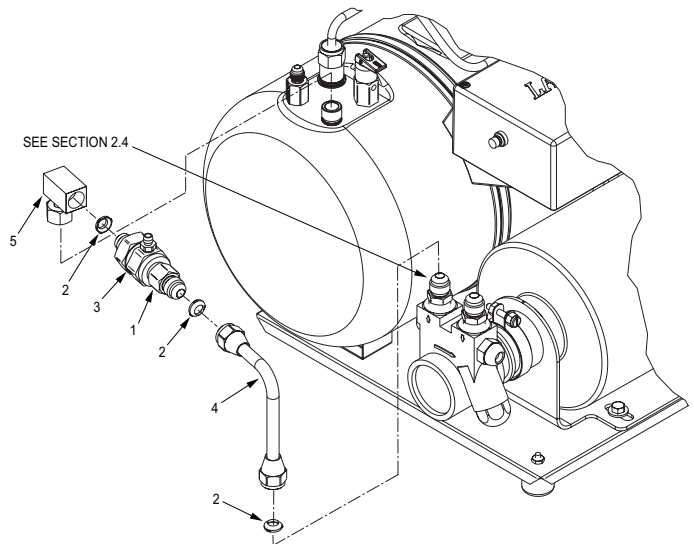


Figure 1

- 2.5 Assemble Retrofit Kit to carbonator, to include all flare washers as noted in Figure 1.
- 2.6 Tighten all connections.
- 2.7 Add labels to tank.
- 2.8 With pressure relief lever in OPEN position, turn ON water, allow carbonator to fill, and close the valve when water begins to run out of the pressure relief valve.
- 2.11 Turn ON CO₂ supply. Recommended pressure for CO₂ supply is 105 psi.
- 2.12 Turn ON power supply.

WARNING:

ASPHYXIATION CAN RESULT IF THE BACKFLOW PREVENTER IS NOT PROPERLY VENTED TO THE OUTSIDE ENVIRONMENT.

NOTE:

Some water may come out of the Backflow Preventer during the initial cycle. *This is normal and does **not** mean that the Backflow Preventer is operating incorrectly.*

LANCER

6655 LANCER BLVD. • SAN ANTONIO, TEXAS 78219 USA • (210) 310-7000

FAX SALES

• NORTH AMERICA – 210-310-7245 • INTERNATIONAL SALES – 210-310-7242 • CUSTOMER SERVICE – 210-310-7242 •
 • LATIN AMERICA – 210-310-7245 • EUROPE – 32-2-755-2399 • PACIFIC – 61-8-8268-1978 •

• FAX ENGINEERING: • 210-310-7096 •
 • "Lancer" is the registered trademark of Lancer •
 • Copyright — 2006 by Lancer, all rights reserved •

DATE: 09/06/06
 P.N. 28-0584/01