

**WARNING: UNPLUG POWER TO THE DISPENSER BEFORE PERFORMING LED MARQUEE ASSEMBLY**



**ELECTRICAL WARNING** ALWAYS DISCONNECT POWER TO THE DISPENSER BEFORE ATTEMPTING ANY INTERNAL MAINTENANCE. THE RESETTABLE BREAKER SWITCH SHOULD NOT BE USED AS A SUBSTITUTE FOR UNPLUGGING THE DISPENSER FROM THE POWER SOURCE TO SERVICE THE UNIT. NOTE: LIFT THE HEAD BOX COVER DOES NOT TURN OFF POWER TO THE DISPENSER. IT MUST BE PHYSICALLY UNPLUGGED.

ONLY QUALIFIED PERSONNEL SHOULD SERVICE THE INTERNAL COMPONENTS OF THE DISPENSER.

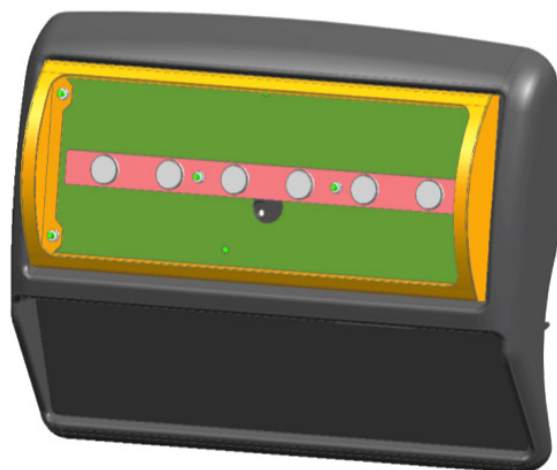
AVOID ANY CONTACT WITH WATER WHEN PLUGGING IN THE DISPENSER. THE DISPENSER MUST BE PROPERLY ELECTRICALLY GROUNDED TO AVOID SERIOUS INJURY OR FATAL ELECTRICAL SHOCK. THE POWER CORD HAS A THREE-PRONG GROUNDED PLUG. IF A THREE-HOLE GROUNDED ELECTRICAL OUTLET IS NOT AVAILABLE, USE AN APPROVED METHOD TO GROUND THE UNIT. FOLLOW ALL LOCAL ELECTRICAL CODES WHEN MAKING CONNECTIONS. EACH DISPENSER MUST HAVE A SEPARATE ELECTRICAL CIRCUIT. DO NOT USE EXTENSION CORDS. DO NOT CONNECT MULTIPLE ELECTRICAL DEVICES ON THE SAME OUTLET.

**PURPOSE:**

To update the Delta III Pro Marquee Assembly to produce LED lighting.

**PARTS/TOOLS LIST:**

PART NUMBER	QUANTITY	DESCRIPTION
30-10804	1	PANEL, MOUNT, LED DRIVER, D3
04-0286	7	NUT, HX, 10-24X5/16, SS, KEPS WSHR
64-5034	1	PCB ASSY, 24VDC, AC/DC CONVERTER, DELTA III
82-4431	1	MARQUEE ASSY, LED KIT, DELTA III PRO
52-3400	1	JUMPER, 24VDC, AC/DC CONVERTER, DELTA III
05-1678	4	STANDOFF, PCB, REV LCKNG
52-3305	1	FUSE & FUSE HOLDER
30-11688	1	COVER, PCB ASSY, DELTA III PRO
04-0061	1	SCR, 8-18X.500, PHD W/ELW, PH
13-0059	1	BUSHING, 2850, CONVERT



Lancer Corp., 6655 Lancer Blvd., San Antonio, Texas 78219

800-729-1500 - Technical Support/Warranty: 800-729-1550

custserv@lancercorp.com - lancercorp.com

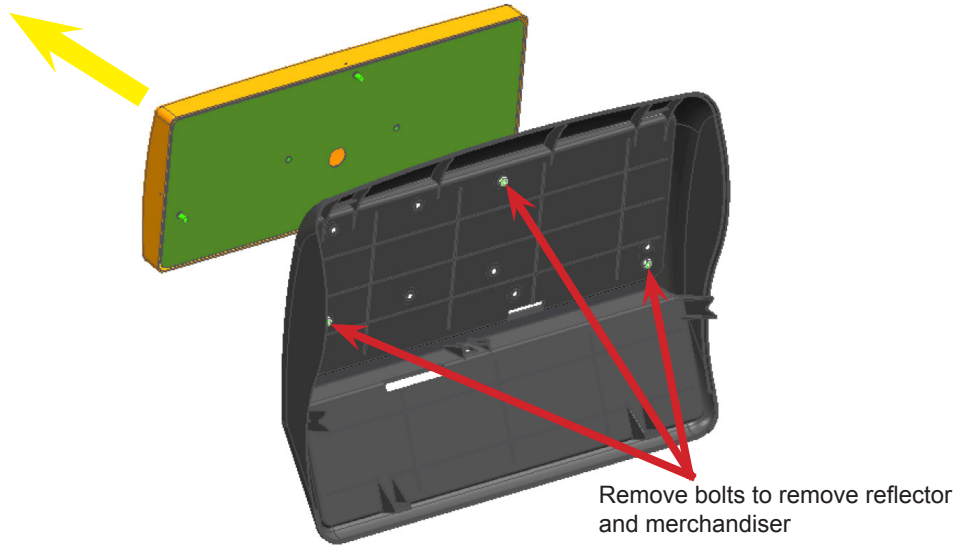
Manual PN: 28-0944 - NOVEMBER 2014

"Lancer" is the registered trademark of Lancer © 2014 by Lancer, all rights reserved.

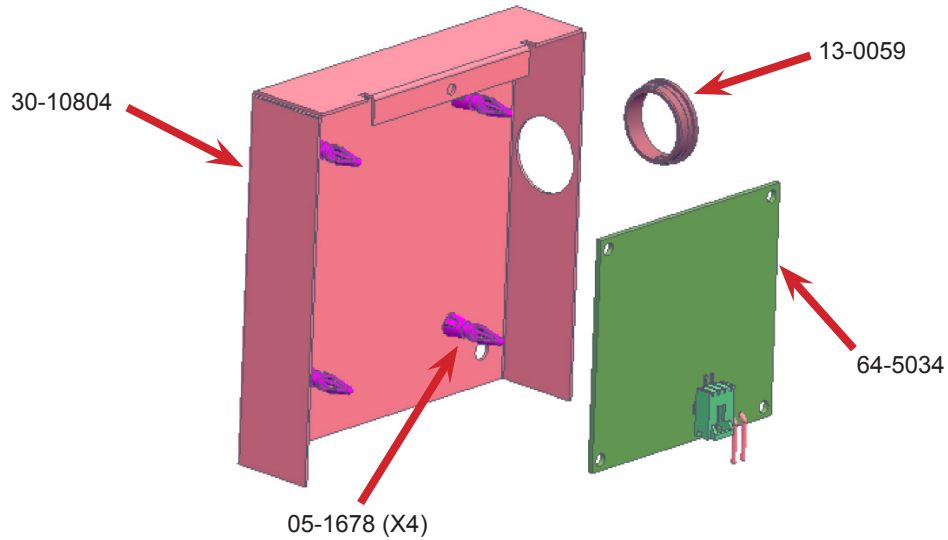
**CONTINUED ON NEXT PAGE.....**

## 1. INSTALLATION

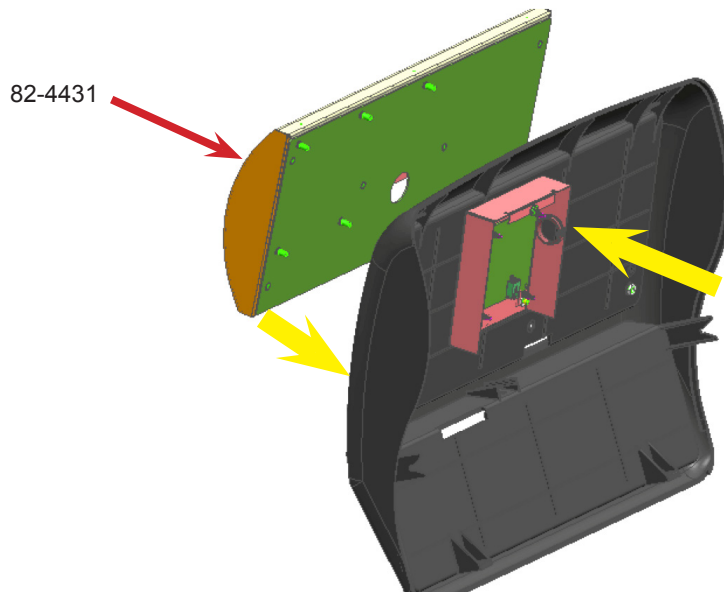
- A. Remove the existing merchandiser on the Delta III Pro unit.



- B. Install the PCB to the back side of the Control Box.

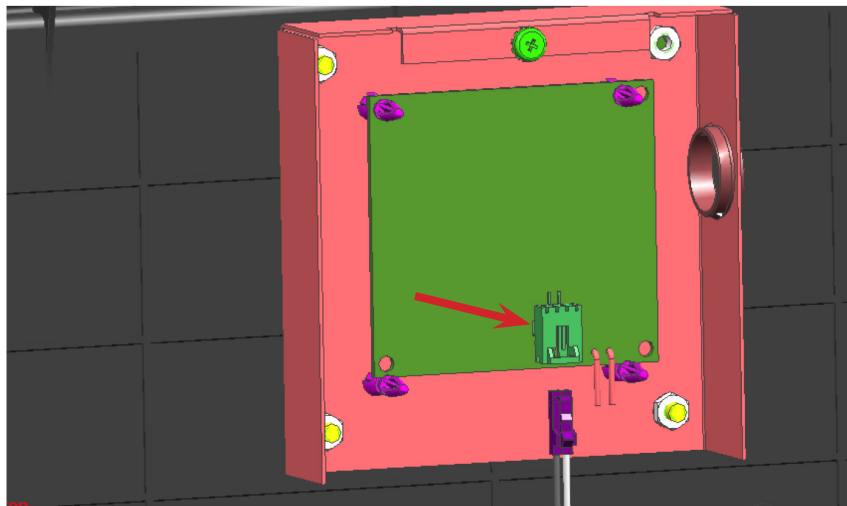


- C. Install Marquee Assembly to the front of the shroud and the Control Box Sub-Assembly created in Step B to the back of the shroud.

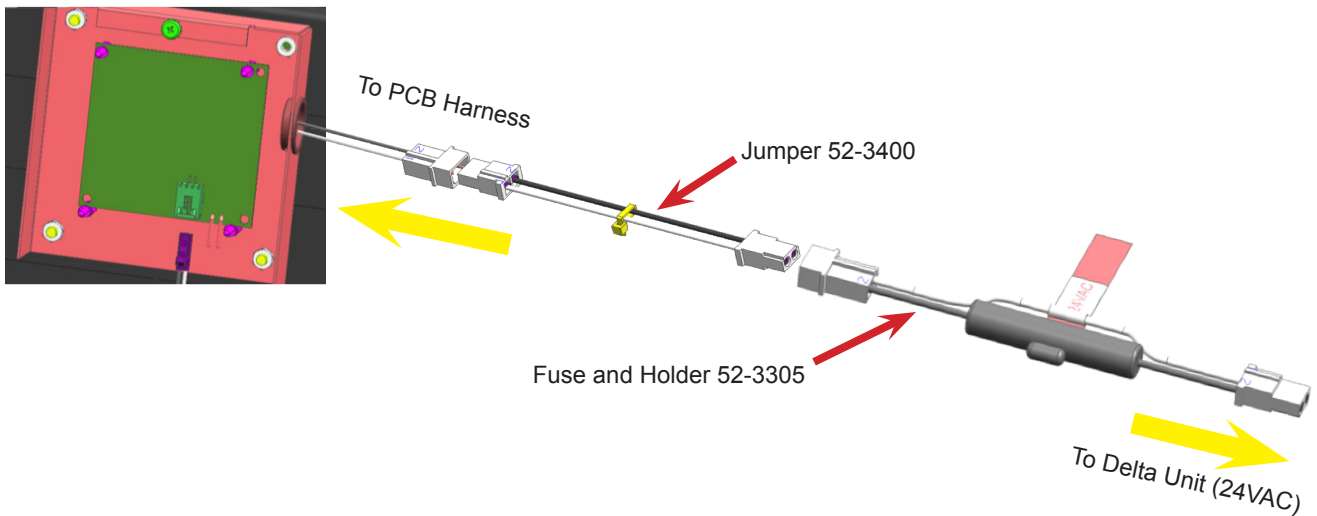


**CONTINUED ON NEXT PAGE.....**

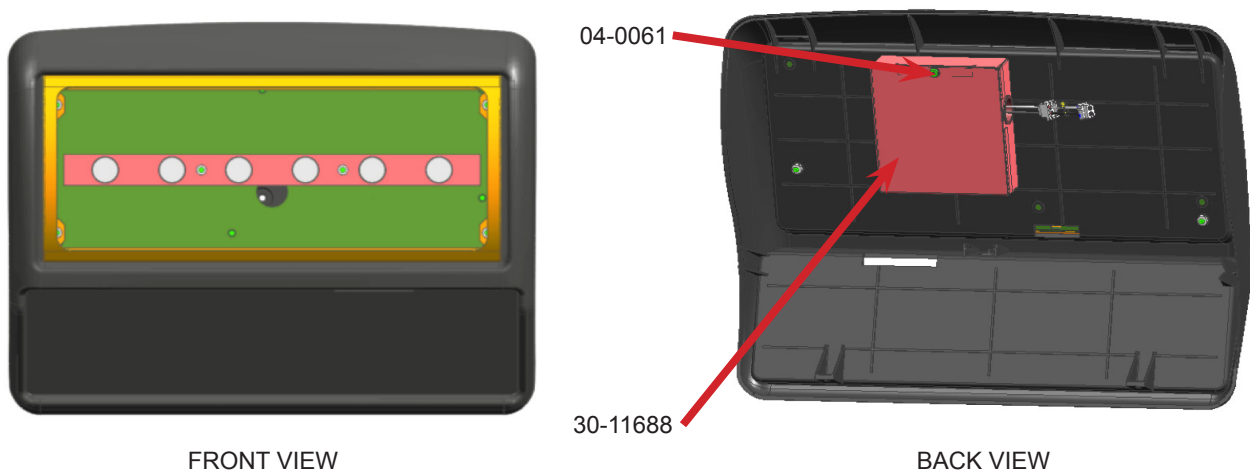
D. Connect the LED harness to the PCB.



E. Route PCB to the Delta Unit Harness by connecting the PCB harness to the Jumper, Jumper to the Fuse Holder, and then Fuse Holder to the 24VAC Delta Unit Harness.



F. Install Control Box Cover.



**NOTE:** The recommended marquee graphic material is PET-G and the dimensions are 14.125 in (358.76 mm) by 6.295 in (159.89 mm) with a thickness of 0.030 in (0.76 mm). **GRAPHIC DOES NOT COME INCLUDED IN THE KIT.** The illumination performance could vary depending on the material and art work of the graphic.

⚠ Please refer to the Lancer web site ([www.lancercorp.com](http://www.lancercorp.com)) for information relating to Lancer Installation and Service Manuals, Instruction Sheets, Technical Bulletins, Service Bulletins, etc. ⚠