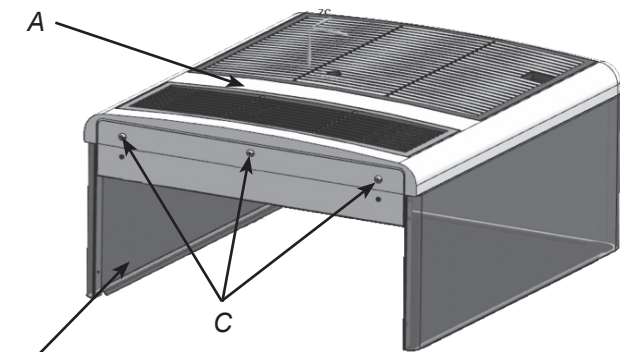


Introduction

Lancer is proud to introduce an enhancement specifically geared toward the Latin American market for the Delta III Pro unit. This aesthetic improvement will continue to provide added value, innovation, and improvement to the growing market in Latin America.

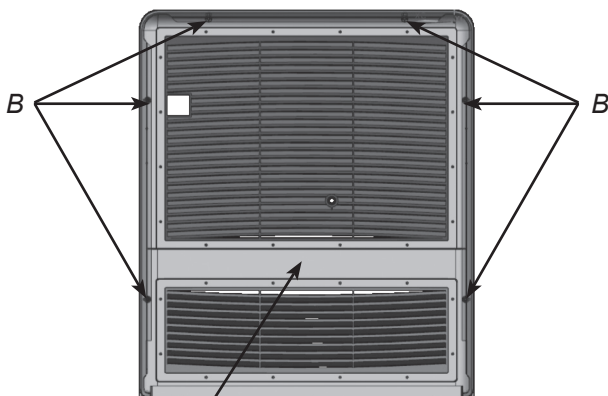
Installation

1. Remove existing bonnet by first removing the three (3) front panel support screws.



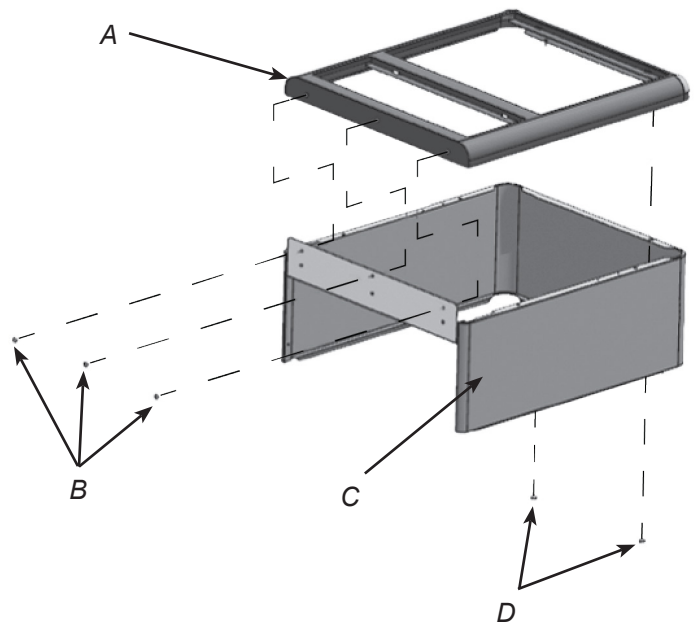
A. Existing Bonnet
B. Bonnet Frame (30-7618)
C. Front Panel Support Screws

2. Remove the six (6) top screws then remove existing bonnet.



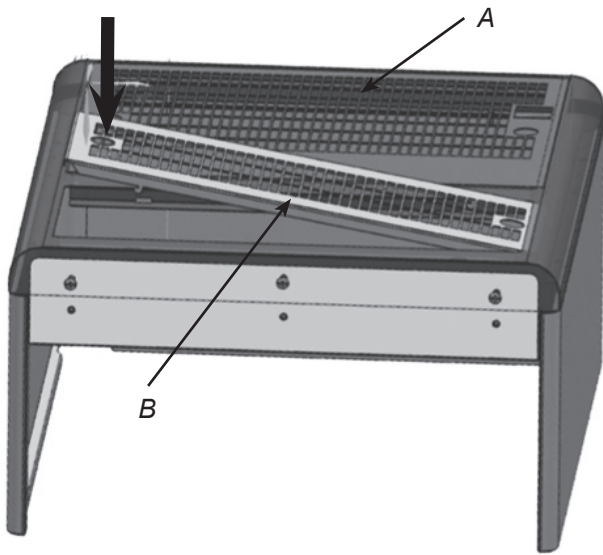
A. Existing Bonnet
B. Top Screws

3. Install new metal bonnet to existing frame using the existing three (3) front panel support screws and the two (2) top hex nuts supplied.

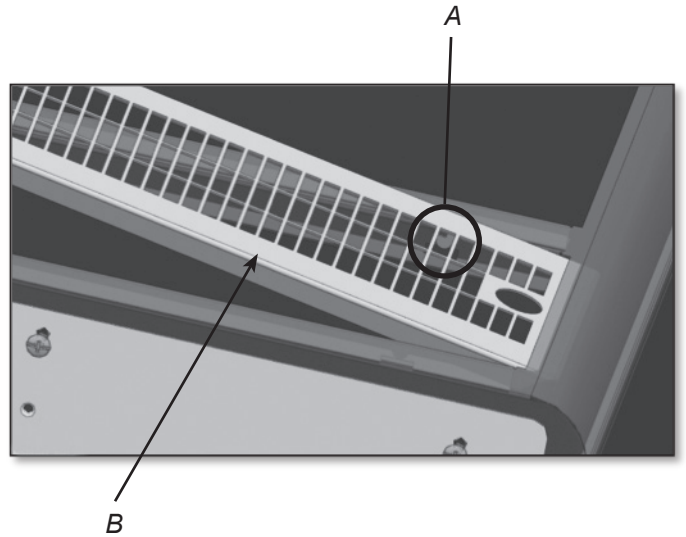


A. Metal Bonnet (51-6430)
B. Front Panel Support Screws (04-0302)
C. Bonnet Frame (30-7618)
D. Hex Nuts (04-0286)

4. Slide angled grills into place on metal bonnet, ensuring hook assembly connects to bonnet cut-out.



A. Angled Grill (30-11034)
B. Angled Grill (30-11035)



A. Hook Assembly
B. Angled Grill (30-11035)

NOTE

Please refer to the Lancer website (lancercorp.com) for more information relating to Lancer Installation and Operation Manuals, Instructions Sheets, Technical Bulletins, etc.

Lancer Corp., 6655 Lancer Blvd., San Antonio, Texas 78219

800-729-1500 - Technical Support/Warranty: 800-729-1550

custserv@lancercorp.com - lancercorp.com

Manual PN: 28-2846 - December 2014

"Lancer" is the registered trademark of Lancer © 2014 by Lancer, all rights reserved.